

MOUNTED BEARINGS FOR FAN AND BLOWER APPLICATIONS

TIMKEN'S SOLUTIONS HELP ENHANCE THE PERFORMANCE AND UPTIME OF YOUR EQUIPMENT

Fans and centrifugal blowers are expected to perform consistently and efficiently in high-pressure, high-flow conditions.

We provide a full range of mounted bearing products to support fan and blower applications. Each is specially designed to keep lubricants in and contaminants out, helping them perform reliably – even in the toughest conditions.

We can engineer customized solutions and bearing configurations that meet the demands and challenges of your applications – from multi-point sealing solutions and locking combinations to flingers and housing and mounting options. Plus, with our assemble-to-order model, we can build your mounted bearing faster – allowing us to quickly respond to your needs and reduce lead times.

Timken Advantage

- **Extensive Product Portfolio.** Our mounted bearing portfolio is one of the broadest in the industry, from mounted ball bearings to mounted roller bearings.
- **Customization.** We can design custom seals and housings for your unique application requirements. Whatever your needs are, there is a Timken® mounted bearing to meet the demands of your application.
- **Problem-Solving.** After decades working in the market, we've seen firsthand the different bearing failure modes in the field. Our strong, knowledgeable application engineering team solves these problems daily, bringing a huge wealth of know-how experience to our customers.

Gain Solutions That:

Reduce contamination.

Timken® Fafnir® mounted ball bearings feature a multiple-barrier sealing system, which can include a corrosion-resistant polymer flinger, our patented polymer Seal Guard and a three-piece nitrile rubber shroud seal. Timken® mounted solid-block roller bearings have a triple-lip seal for superior sealing in wet and dirty applications.

Extend bearing life.

Run faster and cooler with Timken Fafnir SAOL fixed and floating type mounted ball bearings. These bearings are specially designed to operate at higher speeds and temperatures, where one or more floating bearing units are required. They're oil-lubricated and run cooler than grease-lubricated ball and roller bearings.

Combat premature damage.

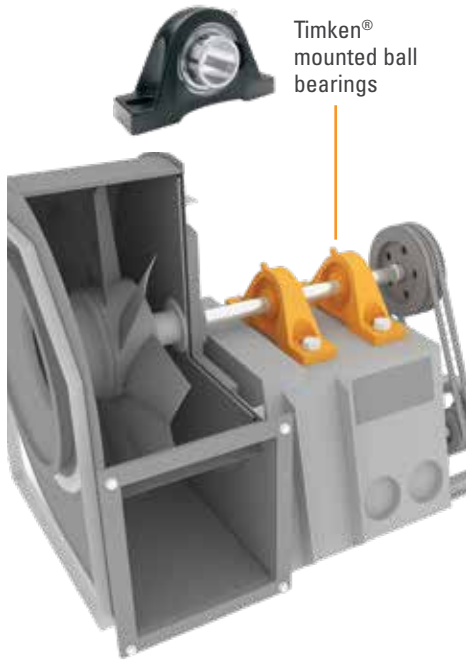
Timken self-aligning mounted tapered roller bearings are designed to efficiently manage axial loads. Our optimized bearings can provide up to 2x longer life than the current industry leading competitor. With their true rolling motion and more efficient load sharing, they reduce the potential of roller skidding damage.

Simplify maintenance and installation.

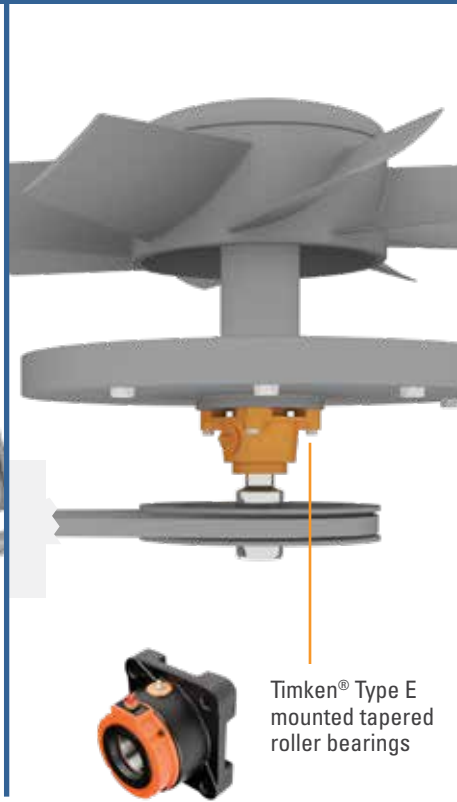
Reduce downtime for repairs with Timken split-mounted cylindrical and SAF/SNT roller bearings. They are completely split to the shaft, dramatically reducing installation and inspection times. Ancillary equipment does not need to be removed, resulting in both time and cost savings.

AN IDEAL FIT FOR FAN AND BLOWER APPLICATIONS

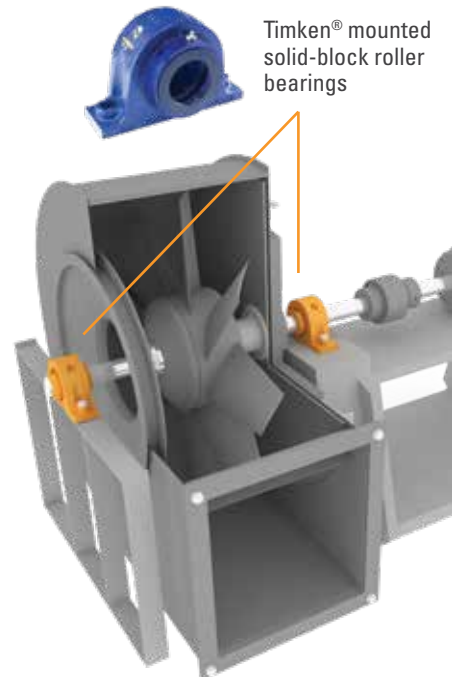
Less than 50 HP fans and blowers



Greater than 50 HP fans and blowers (vertical)



Greater than 50 HP fans and blowers (horizontal)



ADDITIONAL BEARING OPTIONS FOR FANS AND BLOWERS:



Timken® Type E self-aligning mounted tapered roller bearings.



Timken® SAF/SNT split-block mounted spherical roller bearings.



Timken® U-Series mounted ball bearings.



Timken® mounted split cylindrical bearings.

TIMKEN

The Timken team applies their know-how to improve the reliability and performance of machinery in diverse markets worldwide. The company designs, makes and markets bearings, gear drives, automated lubrication systems, belts, brakes, clutches, chain, couplings, linear motion products and related industrial motion rebuild and repair services.

Stronger. By Design.

www.timken.com