

TIMKEN

IMPROVED RELIABILITY. ENHANCED PERFORMANCE.

TIMKEN® LARGE BORE TYPE E MOUNTED TAPERED ROLLER BEARING

Timken Large Bore Type E Mounted Tapered Roller Bearings are designed to withstand some of the most challenging and demanding production conditions anywhere - and feature additional, expanded sizes.

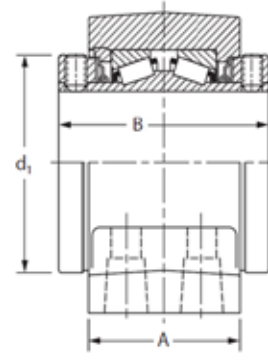
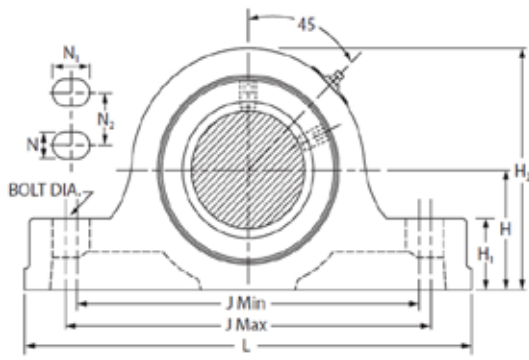
Our Large Bore Type E Mounted Tapered Roller Bearing is the only product on the market to feature a secondary cover, helping to prevent water and slurry from contaminating the bearing, resulting in longer bearing life. The Timken Triple Barrier Seal has also been extended to the large bore Type E.

The housing features a surface coating that resists corrosion more effectively than black oxide or powder coating. Timken Large Bore Type E Mounted Tapered Roller Bearings feature improved lubrication performance and reduced internal stresses, resulting in longer bearing life and lower maintenance costs.

FEATURES AND BENEFITS

- Enhanced Type E now features expanded sizes
- Only Type E large bore that features a secondary cover for bearing protection
- Triple Barrier Seal extended to fit the large bore design

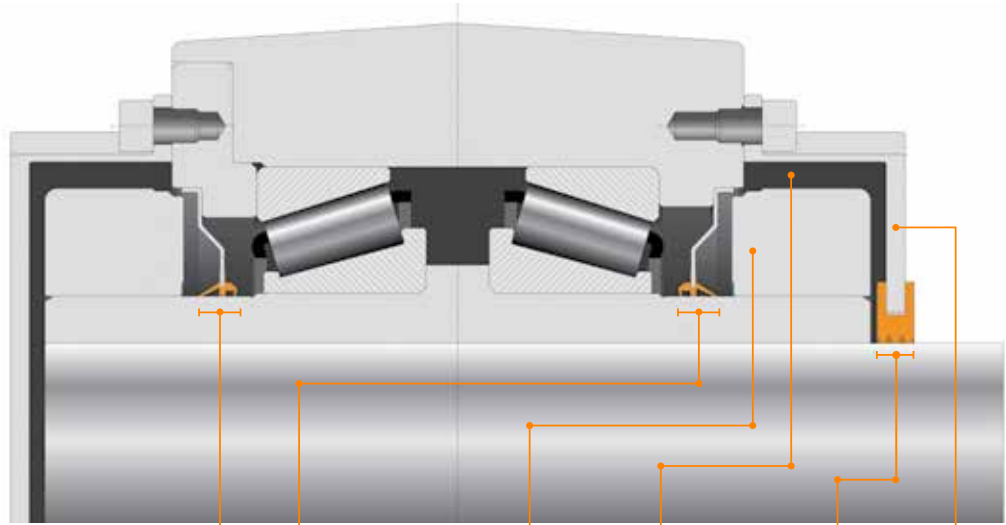




Shaft Dia.	Part No.	B	L	A	J		Bolt Dia.	N	N ₁	N ₂	H ₁	H ₂	d ₁	H	Approx. Wt.
					Max.	Min.									
in.		in.	in.	in.	in.	in.	in.	in.	in.	in.	in.	in.	in.	in.	lbs.
135 mm	E-P4B-TRB-135MM	9	22	6 ¼	19 ½	17 ¾	1	1 ½	2	3 ¾	3 ¼	13 ¾	9 ¾	6 11/16	247
5 7/8	E-P4B-TRB-5 7/8														
5 ½	E-P4B-TRB-5 ½														
140 mm	E-P4B-TRB-140MM														
150 mm	E-P4B-TRB-150MM														
5 15/16	E-P4B-TRB-5 15/16	10 ½	26	7 ¾	23 ¼	21 ¼	1	1 ½	2	4 ¾	3 1/16	15 ½	11 7/16	7 ½	401
6	E-P4B-TRB-6														
6 7/8	E-P4B-TRB-6 7/8														
6 ½	E-P4B-TRB-6 ½														
170 mm	E-P4B-TRB-170MM														
6 15/16	E-P4B-TRB-6 15/16														
7	E-P4B-TRB-7														
180 mm	E-P4B-TRB-180MM														



ULTIMATE MULTI-POINT SEALING SYSTEM



Points of Sealing:	Upgraded triple-barrier internal bearing seal <ul style="list-style-type: none"> Two contact lips and one rigid middle labyrinth section to help retain grease and reduce contamination ingress New enhanced seal material to provide greater performance with 2X more abrasion resistance than the industry standard nitrile seal 	Locking collar	Grease in cavity of end cover	Triple-lip external rubber through shaft seal	External secondary cover (open or closed)
	3	1	1	3	1

TIMKEN

The Timken team applies their know-how to improve the reliability and performance of machinery in diverse markets worldwide. The company designs, makes and markets bearings, gear drives, automated lubrication systems, belts, brakes, clutches, chain, couplings, linear motion products and related industrial motion rebuild and repair services.

Stronger. By Design.

www.timken.com