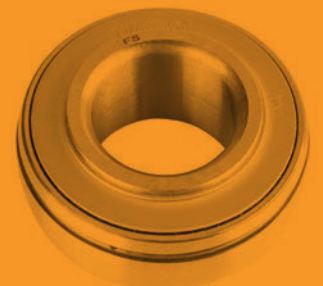


# TIMKEN



## TIMKEN® U SERIES BALL BEARING HOUSED UNIT CATALOG





## ABOUT THE TIMKEN COMPANY

As a global leader in bearings and power transmission systems, Timken focuses on precise solution design, materials and craftsmanship to deliver reliable and efficient performance that improves productivity and uptime. Timken offers a full range of bearings, belts, chains, couplings, gears and lubricants, along with rebuild and repair services. Timken (NYSE; TKR; [www.timken.com](http://www.timken.com)) applies its proven expertise in metallurgy, tribology and mechanical power transmission to create innovative approaches to customers' complex needs. Global availability of products and engineering talent, combined with exceptional service delivery across markets, makes Timken a preferred choice worldwide.

To view more Timken catalogs, go to [www.timken.com/catalogs](http://www.timken.com/catalogs) for interactive versions, or to download our catalog app to your smart phone or mobile device.



## TIMKEN® U SERIES BALL BEARING HOUSED UNIT CATALOG INDEX

Overview .....	2
Shelf Life/Storage .....	4
Warnings .....	5

### ENGINEERING

Housing Styles .....	8
Nomenclature .....	9
Product Info .....	10
Installation .....	12
Relubrication .....	14
Technical Data .....	14
Radial Internal Clearance .....	15
Speed Ratings .....	16

### U SERIES BALL BEARING HOUSED UNITS

#### UC 200 Industrial Set Screw Locking Series

UCP 200 Pillow Block Housed Units .....	18
UCF 200 Four-Bolt Flanged Housed Units .....	20
UCFL 200 Two-Bolt Flanged Housed Units .....	22
UCFC 200 Piloted Round Flanged Housed Units .....	24
UCT 200 Take-Up Housed Units .....	26
UC 200 Wide Inner Ring Ball Bearings .....	28

#### UEL 200 Industrial Eccentric Locking Collar Series

UELP 200 Pillow Block Housed Units .....	32
UELF 200 Four-Bolt Flanged Housed Units .....	34
UELFL 200 Two-Bolt Flanged Housed Units .....	36
UELFC 200 Piloted Round Flanged Housed Units .....	38
UEL 200 Take-Up Housed Units .....	40
UEL 200 Wide Inner Ring Ball Bearings .....	42

#### UK 200 Industrial Tapered Bore for use with Adapter Sleeve

##### Locking Series

UKP 200 Pillow Block Housed Units .....	46
UKF 200 Four-Bolt Flanged Housed Units .....	48
UKFL 200 Two-Bolt Flanged Housed Units .....	50
UKFC 200 Piloted Round Flanged Housed Units .....	52
UKT 200 Take-Up Housed Units .....	54
UK 200 Wide Inner Ring Ball Bearings .....	56

#### UC 300 Heavy-Duty Set Screw Locking Series

UCP 300 Pillow Block Housed Units .....	60
UCF 300 Four-Bolt Flanged Housed Units .....	62
UCFL 300 Two-Bolt Flanged Housed Units .....	64
UCT 300 Take-Up Housed Units .....	66
UC 300 Wide Inner Ring Ball Bearings .....	68

## **TIMKEN® U SERIES BALL BEARING HOUSED UNITS - DESIGNED FOR OPTIMIZED PERFORMANCE**

For more than 110 years, Timken innovations continue to keep the world in motion, including the invention of the wide inner ring bearing and the ball bearing housed unit. We continue that innovation by applying our extensive engineering knowledge of bearings, metallurgy, seals and end-user applications to deliver optimized performance from our housed unit product line.

Timken ball bearing housed units help improve efficiencies through:

### **Increased equipment uptime and reduced maintenance cost.**

- Bearings with spherical outer rings and precision-machined cast-iron housings help prevent outer-ring rotation.
- Bearings withstand static misalignment of the shaft of +/- 3 degrees.
- Designed for normal operation between -20° C and 100° C (-4° F and 212° F).
- Wide inner ring ball bearings deliver greater shaft support.
- High-strength housings are suited for most industrial applications.
- Bearings are prelubricated and ready for immediate installation.
- Timken knowledge and support come standard.

### **Robust sealing designed for the most demanding environments.**

- Highly engineered sealing provides extended bearing life and reduced lubrication leakage.
- Bonded seal design with a steel flinger adds additional bearing protection.
- Effective grease retention and reduced debris and moisture ingress improve bearing performance.



### **Wide range of ready-to-mount units.**

- Five different housing designs plus replacement inserts are offered in metric and imperial sizes.
- Set screw locking, tapered bore for use with adapter sleeve and eccentric locking collar design allow for easy installation.
- Extensive range of sizes meets the needs of a wide range of applications.
- Interchangeable without modification in many applications.
- Local in-stock availability ensures the service levels you expect.

Timken supports your job sites with a team of service engineers available around the world. Their services help extend maintenance cycles and maximize uptime.

Timken is your single-source for friction management, with a full range of bearings and related accessories including greases, seals, tools, training and repair services.

## HOW TO USE THIS CATALOG

We designed this catalog to help you find the Timken bearings best suited to your equipment needs and specifications.

The product tables list many of the bearing types that are specifically used in thrust positions. For other bearing types, please refer to the respective Timken product catalog reference.

Timken offers an extensive range of bearings and accessories in both imperial and metric sizes. For your convenience, size ranges are indicated in millimeters and inches. Contact your Timken engineer to learn more about our complete line for the special needs of your application.

This publication contains dimensions, tolerances and load ratings, as well as engineering sections describing mounting and fitting practices for shafts and housings, internal clearances, materials and other bearing features. It provides valuable assistance in the initial consideration of the type and characteristics of the bearings that may best suit your particular needs.

ISO, as used in this publication, refers to the International Organization for Standardization and JIS refers to the Japanese Industrial Standards.

**Updates are made periodically to this catalog.**

**Visit [www.timken.com/catalogs](http://www.timken.com/catalogs) for the most recent version of the Timken® U Series Ball Bearing Housed Unit Catalog.**





## ***SHELF LIFE AND STORAGE OF GREASE-LUBRICATED BEARINGS AND COMPONENTS***

To help you get the most value from our products, Timken provides guidelines for the shelf life of grease-lubricated ball and roller bearings, components and assemblies. Shelf life information is based on Timken and industry test data and experience.

### **SHELF LIFE**

Shelf life should be distinguished from lubricated bearing/component design life as follows:

Shelf life of the grease-lubricated bearing/component represents the period of time prior to use or installation.

The shelf life is a portion of the anticipated aggregate design life. It is impossible to accurately predict design life due to variations in lubricant bleed rates, oil migration, operating conditions, installation conditions, temperature, humidity and extended storage.

**TIMKEN IS NOT RESPONSIBLE FOR THE SHELF LIFE OF ANY BEARING/COMPONENT LUBRICATED BY ANOTHER PARTY.**

### **European REACH compliance**

Timken lubricants, greases and similar products sold in standalone containers or delivery systems are subject to the European REACH (Registration, Evaluation, Authorization and Restriction of Chemicals) directive. For import into the European Union, Timken can sell and provide only those lubricants and greases that are registered with ECHA (European Chemical Agency). For further information, please contact your Timken engineer.

### **STORAGE**

Timken suggests the following storage guidelines for our finished products (bearings, components and assemblies, referred to as “products”):

- Unless directed otherwise by Timken, products should be kept in their original packaging until they are ready to be placed into service.
- Do not remove or alter any labels or stencil markings on the packaging.

- Products should be stored in such a way that the packaging is not pierced, crushed or otherwise damaged.
- After a product is removed from its packaging, it should be placed into service as soon as possible.
- When removing a product that is not individually packaged from a bulk pack container, the container should be resealed immediately after the product is removed.
- The storage area temperature should be maintained between 0° C (32° F) and 40° C (104° F); temperature fluctuations should be minimized.
- The relative humidity should be maintained below 60 percent and the surfaces should be dry.
- The storage area should be kept free from airborne contaminants such as, but not limited to, dust, dirt, harmful vapors, etc.
- The storage area should be isolated from undue vibration.
- Extreme conditions of any kind should be avoided.

Due to the fact that Timken is not familiar with your particular storage conditions, we strongly suggest following these guidelines. However, you may be required by circumstances or applicable government requirements to adhere to stricter storage requirements.

Most bearing components typically ship protected with a corrosion-preventive compound that is not a lubricant. These components may be used in oil-lubricated applications without removal of the corrosion-preventive compound. When using some specialized grease lubrications, we advise you to remove the corrosion-preventive compound before packing the bearing components with suitable grease.

Be careful in selecting lubrication, however, since different lubricants are often incompatible.

When you receive a bearing shipment, do not remove products from their packaging until they are ready for mounting so they do not become corroded or contaminated.

Store bearings and bearing housings in an appropriate atmosphere so they remain protected for the intended period.

**WARNING**

***Failure to observe the following warnings could create a risk of death or serious injury.***

Proper maintenance and handling practices are critical. Always follow installation instructions and maintain proper lubrication.

Overheated bearings can ignite explosive atmospheres.

Special care must be taken to properly select, install, maintain and lubricate housed unit bearings that are used in or near atmospheres that may contain explosive levels of combustible gases or accumulations of dust such as grain, coal, or other combustible materials. Consult your equipment designer or supplier for installation and maintenance instructions.

If hammer and bar are used for installation or removal of a part, use a mild steel bar (e.g., 1010 or 1020 grade). Mild steel bars are less likely to cause release of high speed fragments from the hammer or bar or the part being installed or removed.

**CAUTION**

***Failure to follow these cautions may result in property damage.***

Do not use damaged housed units.

**NOTE:**

*Do not use excessive force when mounting or dismantling the unit.*

*Follow all tolerance, fit and torque recommendations.*

*Always follow the Original Equipment Manufacturer's installation and maintenance guidelines.*

*Ensure proper alignment.*

*Never weld housed units.*

*Do not heat components with an open flame.*

*Do not operate at bearing temperatures above 250° F (121° C).*

**For additional Timken product warnings, visit [www.timken.com/warnings](http://www.timken.com/warnings).**

**DISCLAIMER**

***This catalog is provided solely to give you analysis tools and data to assist you in your product selection. Product performance is affected by many factors beyond the control of Timken. Therefore, you must validate the suitability and feasibility of all product selections.***

***Timken products are sold subject to Timken terms and conditions of sale, which include our limited warranty and remedy. You can find these at <https://www.timken.com/legal-notice/termsandconditionsofsale/>.***

***Please consult with your Timken engineer for more information and assistance. Every reasonable effort has been made to ensure the accuracy of the information in this writing, but no liability is accepted for errors, omissions or for any other reason.***





## ENGINEERING

The following topics are covered within this section:

Housing Styles .....	8
Nomenclature.....	9
Product Info .....	10
Installation.....	12
Relubrication.....	14
Technical Data .....	14
Radial Internal Clearance.....	15
Speed Ratings.....	16



*To view more Timken catalogs,  
go to [www.timken.com/catalogs](http://www.timken.com/catalogs)  
for interactive versions, or to  
download the Timken catalog app  
for your smart phone or mobile  
device scan the QR code or  
go to [timkencatalogs.com](http://timkencatalogs.com).*

## **HOUSING STYLES**

Timken offers you the full range of standard and heavy series ball bearing housed units with set screw locking (UC), tapered bore for use with adapter sleeve (UK) and eccentric locking collar (UEL) mechanisms in metric and imperial sizes:



### **PILLOW BLOCK UNITS**

UCP – 12 mm to 140 mm (½ in. to 4 in.)  
 UELP – 12 mm to 75 mm (½ in. to 3 in.)  
 UKP – 20 mm to 80 mm (¾ in. to 3 in.)



### **FOUR-BOLT FLANGED UNITS**

UCF – 12 mm to 140 mm (½ in. to 4 in.)  
 UELF – 12 mm to 75 mm (½ in. to 3 in.)  
 UKF – 20 mm to 80 mm (¾ in. to 3 in.)



### **TWO-BOLT FLANGED UNITS**

UCFL – 12 mm to 130 mm (½ in. to 4 in.)  
 UELFL – 12 mm to 75 mm (½ in. to 3 in.)  
 UKFL – 20 mm to 80 mm (¾ in. to 3 in.)



### **PILOTED ROUND FLANGED UNITS**

UCFC – 12 mm to 90 mm (½ in. to 3½ in.)  
 UELFC – 12 mm to 75 mm (½ in. to 3 in.)  
 UKFC – 20 mm to 80 mm (¾ in. to 3 in.)



### **TAKE-UP UNITS**

UCT – 12 mm to 140 mm (½ in. to 4 in.)  
 UELT – 12 mm to 75 mm (½ in. to 3 in.)  
 UKT – 20 mm to 75 mm (¾ in. to 3 in.)



### **WIDE INNER RING BALL BEARINGS**

UC – 12 mm to 140 mm (½ in. to 4 in.)  
 UEL – 12 mm to 75 mm (½ in. to 3 in.)  
 UK – 20 mm to 80 mm (¾ in. to 3 in.)

# NOMENCLATURE CONFIGURATIONS TO MEET YOUR NEEDS

## BALL HOUSED UNITS

Standard and heavy series – wide inner ring, set screw, tapered bore for use with adapter sleeve and eccentric locking collar mechanisms.

## METRIC BORE SIZES

12 mm – 140 mm

## HOUSING TYPES

Pillow block, two-bolt flange, four-bolt flange, piloted round flange and take-up.

## INCH BORE SIZES

½ in. – 4 in.

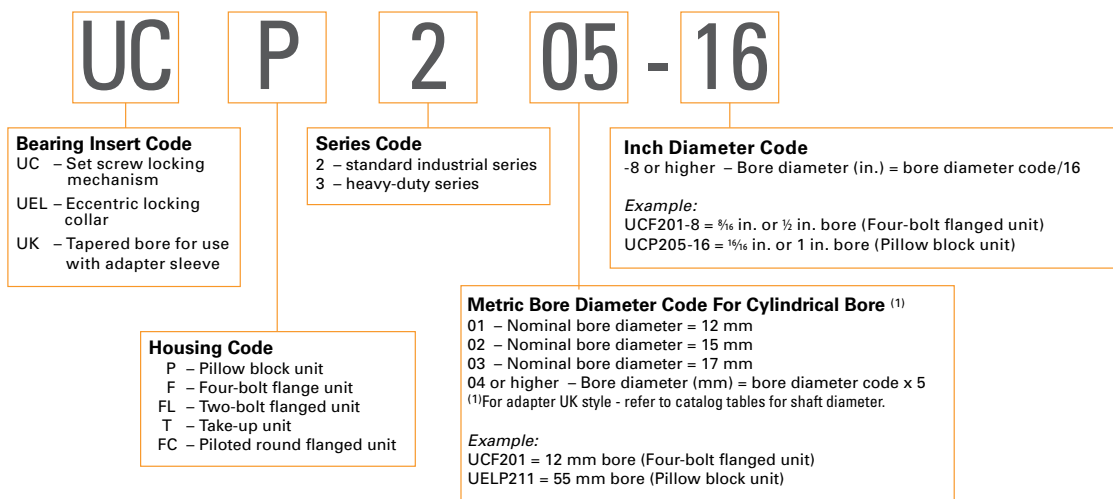


TABLE 1. MODEL LIST

Model	Bearing Bore Dia. Surface (Fixing to Shaft)	Model Code	Shaft Diameter				Dimension Table Page Number
			Min.	Max.	Min.	Max.	
			in.		mm		
	with set screw locking	UC	½	4.0	12	140	28, 68
	with eccentric locking collar	UEL	½	3.0	12	75	42
	tapered bore (with adapter)	UK	¾	3.0	20	80	56
	with set screw locking	UCP	½	4.0	12	140	18, 60
	with eccentric locking collar	UELP	½	3.0	12	75	32
	tapered bore (with adapter)	UKP	¾	3.0	20	80	46
	with set screw locking	UCF	½	4.0	12	140	20, 62
	with eccentric locking collar	UELF	½	3.0	12	75	34
	tapered bore (with adapter)	UKF	¾	3.0	20	80	48
	with set screw locking	UCFL	½	4.0	12	130	22, 64
	with eccentric locking collar	UELFL	½	3.0	12	75	36
	tapered bore (with adapter)	UKFL	¾	3.0	20	80	50
	with set screw locking	UCT	½	4.0	12	140	26, 66
	with eccentric locking collar	UELT	½	3.0	12	75	40
	tapered bore (with adapter)	UKT	¾	3.0	20	75	54
	with set screw locking	UCFC	½	3 ½	12	90	24
	with eccentric locking collar	UELFC	½	3.0	12	75	38
	tapered bore (with adapter)	UKFC	¾	3.0	20	80	52

## PRODUCT INFO

### Precision formed flinger

Provides the first level of protection against contamination.

### High-performance seal

Bonded nitrile rubber seal with an engineered interface to the inner ring.

### Hardened and ground seal land

Helps protect against abrasive wear, extending seal life.

### Outer ring with spherical outside diameter

Engineered fit between bearing and housing to improve bearing life.

### Lubrication delivery system

Precision-machined lubrication groove and holes in the outer ring of the bearing.

### Engineered balls and cage

Steel cage provides effective ball guidance and high-temperature service capability.

### Wide inner ring

Improved shaft support over narrow rings, improving bearing life and reducing misalignment.

### Locking types

Three effective locking styles available:

- Set screw locking
  - Simple installation
  - Ideal for reversing applications
  - Provides maximum holding power
- Eccentric locking
  - Easy installation
  - Reliable and provides secure grip to the shaft
  - Minimize shaft damage
- Adapter sleeve locking
  - Highly concentric and secure locking
  - Eliminates shaft damage
  - Prevent fretting corrosion even under adverse conditions

### Cast-iron housing

Incorporates ISO 185 Grade 200 (ASTM A48 Grade No. 30) cast iron.

### Premium grease

Prelubricated with high-quality lithium-based grease, compatible with most industrial greases.





## INSTALLATION

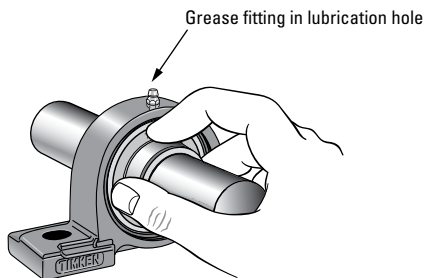
### UC 200 AND UC 300 SERIES

#### SET SCREW STYLE UNITS

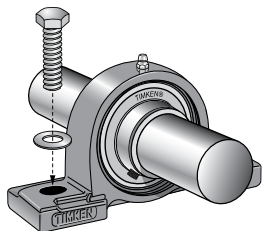
Set screw style units are mounted on the shaft with the help of two set screws in the inner ring located at 120 degrees to each other. The set screw locking mechanism provides ease in mounting and is suitable for applications where the shaft rotation is bidirectional.

**Installation procedures for set screw style units are shown below.**

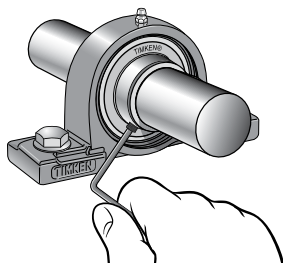
1. Ensure that the shaft is clean, free from burrs, straight and of proper diameter. The bearing should not be mounted on a worn section of the shaft. Using shafts with hardness greater than HRC 45 will reduce effectiveness of locking devices. See table 3 on page 14 for suggested shaft tolerances.
2. Install the supplied grease fitting into the threaded lubrication hole on the housing. Align the bearing in its housing and slide the unit into position on the shaft.



3. Bolt the housing tightly to its mounting supports using an appropriately sized fastener and suggested bolt torque (table 5 on page 14). Flat washers should be used when installing any kind of housed unit. Washers should be properly sized to bolt diameter.



4. Lock the bearing to the shaft by tightening each inner ring set screw incrementally to suggested torque levels (table 4 on page 14).



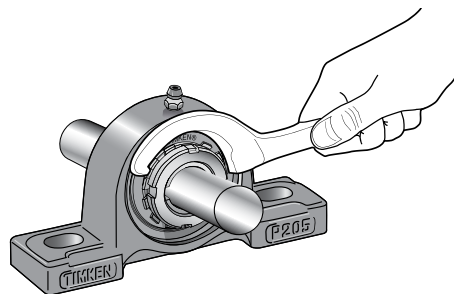
## UK SERIES

#### ADAPTER STYLE UNITS

Adapter style units have a tapered bore bearing mounted to the shaft with adapter sleeve assembly, comprised of an adapter sleeve, locknut and lockwasher. This design offers the best shaft concentricity and highest capacity while having the ability to accommodate undersized shafting. These units are most suitable where they are exposed to excessive vibration and impact.

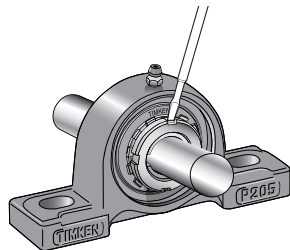
**Installation procedures for adapter style units are shown below.**

1. Ensure that the shaft is clean, free from burrs, straight and of proper diameter. The bearing should not be mounted on a worn section of the shaft. See table 3 on page 14 for suggested shaft tolerances.
2. Slide the adapter sleeve into position on the shaft. If the sleeve is too tight, expand the slot by using a screwdriver as required.
3. Slide the bearing unit over the adapter sleeve and loosely install the housed unit appropriately sized mounting bolts.
4. Assemble the lockwasher on the sleeve and thread the locknut onto the adapter sleeve leaving approximately 6.35 mm (¼ in.) between the lockwasher and the inner ring of the bearing.
5. Use a large screwdriver or pry bar to lever the sleeve into position until there is no relative movement between the shaft, adapter sleeve and the bearing's inner ring.
6. Rotate the locknut until hand-tight. Use a spanner wrench to tighten the locknut to the suggested torque (see table 7 on page 15).





7. Bend a tang on the lockwasher into a slot on the locknut to prevent the locknut from loosening.



8. Rotate the shaft by hand while tightening the mounting bolts to make sure the shaft rotates freely. Tighten the housed unit mounting bolts to the recommended bolt tightening torque given in table 5 on page 14.

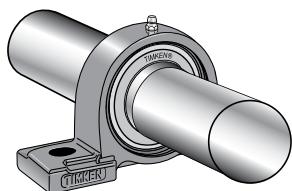
## UEL SERIES

### ECCENTRIC LOCKING COLLAR UNITS

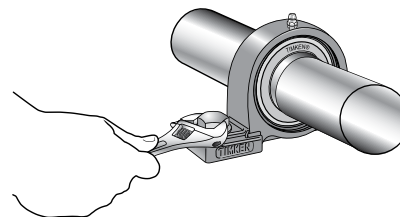
The self-locking collar eliminates the need for locknuts, lockwashers, shoulders, sleeves and adapters. For many agricultural and industrial applications, self-locking collars are the easiest housed units to install. The locking collar has a recessed cam made eccentric to the collar bore. When assembled on the shaft, the locking collar engages or mates with the eccentric cam end of a bearing's inner ring. This assembly grips the shaft tightly with a positive binding action that increases with use. No adjustments of any kind are necessary. The collar set screw provides supplementary locking.

**Installation procedures for eccentric locking collar style units are shown below.**

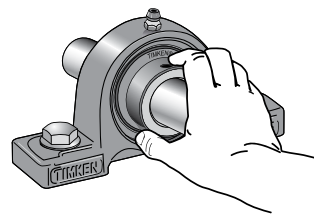
1. Ensure that the shaft is clean, free from burrs, straight and of proper diameter. The bearing should not be mounted on a worn section of the shaft. Using shafts with hardness greater than HRC 45 will reduce effectiveness of locking devices. See table 3 on page 14 for suggested shaft tolerances.
2. Install the supplied grease fitting into the threaded lubrication hole on the housing. Align the bearing in its housing and slide the unit into position on the shaft.



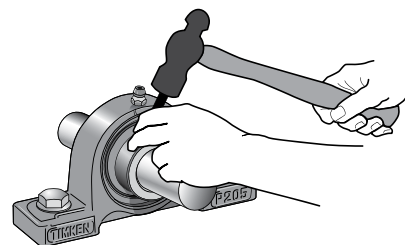
3. Bolt the housing tightly to its mounting supports using an appropriately sized fastener and suggested bolt torque (table 5 on page 14). Flat washers should be used when installing any kind of housed unit. Washers should be properly sized to bolt diameter.



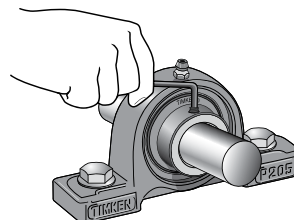
4. Place the eccentric locking collar on the shaft with its cam adjacent to the cam on the end of the bearing inner ring. The eccentric collar's recessed cam will engage the corresponding cam on the bearing inner ring. Turn the collar in the direction of shaft rotation.



5. Using a light weight hammer and a drift pin inserted in the blind hole, tap lightly in the direction of shaft rotation to positively engage the collar. The insert is now locked to the shaft.



6. Tighten the set screw to suggested torque level (see table 4 on page 14).





## RELUBRICATION

Timken ball bearing housed units are prelubricated. However, periodic relubrication is advisable in some applications for which these units are designed. Consult your equipment manufacturer's operating manual for the specific relubrication cycle. General guidelines are found in table 2 below.

**TABLE 2. GENERAL RELUBRICATION SUGGESTIONS FOR GREASED BEARINGS <sup>(1)</sup>**

Condition	Relubrication Interval
Indoor service	Not required
Outdoor service	Two/three times per year
Severe outdoor exposure	Once a month
High contamination/washdown	Once a week

<sup>(1)</sup> As a guideline, relubricate until the first indication of grease is observed purging from the bearing.

## TECHNICAL DATA

The following tables provide useful installation details related to shaft tolerance, recommended torque for set screws and mounting bolts, bearing internal clearances and the speed ratings.

**TABLE 3. SUGGESTED SHAFT TOLERANCE <sup>(1)</sup>**

Shaft Size		Shaft Tolerance	
Over	Incl.	Min.	Max.
mm in.	mm in.	mm in.	mm in.
12	18	0	- 0.011
0.500	0.625	0.000	- 0.0004
19	30	0	- 0.013
0.750	1.000	0.000	- 0.0005
31	50	0	- 0.016
1.125	1.938	0.000	- 0.0006
51	80	0	- 0.019
2.000	3.125	0.000	- 0.0007
81	120	0	- 0.022
3.250	3.500	0.000	- 0.0009
120	140	0	- 0.025
3.50	4.00	0.000	- 0.0010

<sup>(1)</sup> These are for normal service; for heavy loads, high speeds or vertical shaft applications, consult your equipment manufacturer or your local Timken representative.

For shaft tolerance of taper sleeve inserts, see table 6 on page 15.

**TABLE 4. SUGGESTED SET SCREW TIGHTENING TORQUE**

Set Screw Size	Tightening Torque	Applicable Bore Ranges		
		UC 200 Series	UEL 200 Series	UC 300 Series
mm in.	N-m in.-lbs.			
<b>M6 x 0.75</b>	<b>4</b>	201 - 206	204 - 205	305 - 306
¼ - 28 UNF	35	201 - 206	-	-
<b>M8 x 1</b>	<b>9</b>	207 - 209	206 - 210	307
⅜ - 24 UNF	75	207 - 209	-	-
<b>M10 x 1.25</b>	<b>18</b>	210 - 212	211 - 212	308 - 309
⅝ - 24 UNF	155	210 - 212	-	-
<b>M12 x 1.5</b>	<b>28</b>	213 - 218	-	310 - 314
⅞ - 20 UNF	248	-	-	-
<b>M14 x 1.5</b>	<b>35</b>	-	-	315 - 316
1½ - 20 UNF	248	213 - 218	-	-
<b>M16 x 1.5</b>	<b>56</b>	-	-	317 - 319
⅞ - 18 UNF	496	-	-	-
<b>M18 x 1.5</b>	<b>62</b>	-	-	320 - 324
¾ - 16 UNF	549	-	-	-
<b>M20 x 1.5</b>	<b>83</b>	-	-	326 - 328
-	-	-	-	-

For tightening torques of adapter locknuts, see table 7 on page 15.

**TABLE 5. SUGGESTED MOUNTING BOLT TORQUE**

Bolt Size	Tightening Torque	Bolt Size	Tightening Torque
mm	N-m	in.	ft.-lbs.
<b>M10</b>	<b>12 - 21</b>	⅜	9 - 16
<b>M12</b>	<b>21 - 37</b>	⅞	16 - 27
<b>M14</b>	<b>34 - 60</b>	½	26 - 44
<b>M16</b>	<b>53 - 93</b>	⅝	39 - 69
<b>M20</b>	<b>104 - 186</b>	¾	77 - 137
<b>M22</b>	<b>143 - 256</b>	⅞	106 - 190
<b>M27</b>	<b>266 - 478</b>	1	196 - 353
<b>M30</b>	<b>360 - 645</b>	1 ⅛	265 - 476
<b>M33</b>	<b>494 - 885</b>	1 ¼	364 - 653
<b>M36</b>	<b>631 - 1130</b>	1 ⅜	465 - 833
<b>M39</b>	<b>740 - 1320</b>	1 ½	521 - 974
<b>M42</b>	<b>858 - 1533</b>	1 ⅝	609 - 1131

Since tapered bore bearings are fixed to the shaft with an adapter, a looser fit is allowable since the adapter sleeve provides excellent concentricity. This makes mounting of the bearing to the shaft much easier.

Table 6 on page 15 shows the dimensional tolerance of the shaft used with tapered bore bearings (with adapters).

**TABLE 6. DIMENSIONAL TOLERANCE OF SHAFT USED FOR TAPERED BORE BEARINGS (WITH ADAPTERS)**

Shaft Dia.		Dimensional Tolerance of Shaft			
		h8		h9	
Over	Incl.	Min.	Max.	Min.	Max.
mm in.	mm in.	mm in.	mm in.	mm in.	mm in.
18	30	-0.033	0	-0.052	0
5/8	1 ¼	-0.0013	0	-0.0020	0
30	50	-0.039	0	-0.062	0
1 ¼	2	-0.0015	0	-0.0024	0
50	80	-0.046	0	-0.074	0
2	3 ½	-0.0018	0	-0.0029	0

**TABLE 7. TIGHTENING TORQUES OF ADAPTER LOCKNUTS (REFERENCE)**

Bore Code	UK 200 Series		
	Standard Load		Heavy Load
	Min.	Max.	(Max. x 1.5)
	N-m ft.-lbs.	N-m ft.-lbs.	N-m ft.-lbs.
5	25	38	56
	18	28	41
6	30	45	68
	22	33	50
7	40	60	90
	30	44	66
8	50	75	113
	37	55	83
9	60	90	135
	44	66	100
10	75	113	169
	55	83	125
11	100	150	225
	74	111	166
12	130	195	293
	76	144	216
13	150	225	338
	111	166	249
15	170	255	383
	125	188	282
16	200	300	450
	148	221	332

## RADIAL INTERNAL CLEARANCE

In the manufacture of ball bearings, it is standard practice to assemble rings and rolling elements with a specified internal clearance. This characteristic is necessary to absorb the loss of clearance due to press fitting the bearing rings at mounting or due to expansion of bearings, shafts and housings. Internal clearance in an application is an important factor that has a significant influence on bearing performance as well as characteristics of heat, noise and vibration.

Table 8 shows the applicable internal clearance for different series bearings and Table 9 shows the available options for internal clearance.

**TABLE 8. INTERNAL CLEARANCES - DIFFERENT SERIES**

Bearing Bore	Internal Clearance
Cylindrical (UC, UEL)	CN
Tapered (UK)	C3

**TABLE 9. INTERNAL CLEARANCE**

Nominal Bearing Bore Dia. d		Radial Internal Clearance			
		CN		C3	
Over	Incl.	Min.	Max.	Min.	Max.
µm					
10	18	3	18	11	25
18	24	5	20	13	28
24	30	5	20	13	28
30	40	6	20	15	33
40	50	6	23	18	36
50	65	8	28	23	43
65	80	10	30	25	51
80	100	12	36	30	58
100	120	15	41	36	66
120	140	18	48	41	81

Remarks

1. Radial internal clearance given in the above table comply with JIS B 1558.
2. Increase in the internal clearance caused due to the applied measured load is given in the Table 10 below. The correction is applicable to the maximum clearance.

**TABLE 10. CORRECTION OF CLEARANCE**

Nominal Bearing Bore Dia. d		Measured Load	Correction of Clearance	
Over	Incl.		CN	C3
mm		N	µm	
2.5	18	24.5	4	4
18	50	49	5	6
50	280	147	8	9

## SPEED RATINGS

There's no precise method for determining the maximum speed at which a ball bearing can operate. Bearing characteristics and features of surrounding parts, shafts, housings and other components, as well as basic service conditions, are all variables which are dependent upon each other for continued satisfactory high-speed performance.

The safe operating speed of a bearing is often limited by the temperature within the bearing, which in turn, dependent upon the temperature surrounding the application, accuracy of the bearing, shafts, housings, auxiliary parts, etc., and the type and amount of lubricant. Radial bearings with proper internal refinements will operate at high speeds for longer periods if properly installed and lubricated.

Below table shows the standard allowable rotating speeds of ball bearing units.

**TABLE 11. ALLOWABLE ROTATING SPEED FOR HOUSED UNITS**

Bore Dia. Code	Diameter Series	
	2	3
	RPM	
01	5800	-
02	5800	-
03	5800	-
04	5800	-
05	5100	4600
06	4300	3900
07	3700	3400
08	3300	3100
09	3100	2700
10	2800	2400
11	2500	2300
12	2300	2100
13	2200	1900
14	2100	1800
15	2000	1700
16	1800	1600
17	1700	1500
18	1600	1400
19	-	1400
20	-	1300
21	-	1200
22	-	1100
24	-	1100
26	-	1000
28	-	910

Remarks:

When a bearing unit is used with excessively loose fit, the allowable rotating speed must be calculated by multiplying it by the fitting factor  $f_c$  shown in the below table.

**TABLE 12. FITTING FACTOR  $f_c$  FOR HOUSED UNITS**

Type of Ball Bearing Units	Fitting Factor $f_c$					
	Shaft Tolerance Range Class					
	h5, j5	j6	h6	h7	h8	h9
Set screw locking, UC	-	1	1	0.8	0.5	0.2
Eccentric collar locking, UEL	1	-	-	-	-	-
Adapter sleeve locking, UK	-	-	-	-	1	1

***UC 200 INDUSTRIAL  
SET SCREW LOCKING SERIES***

The following topics are covered within this section:

UCP 200 Pillow Block Housed Units . . . . .18  
UCF 200 Four-Bolt Flanged Housed Units . . . . .20  
UCFL 200 Two-Bolt Flanged Housed Units. . . . .22  
UCFC 200 Piloted Round Flanged Housed Units . . . . .24  
UCT 200 Take-Up Housed Units . . . . .26  
UC 200 Wide Inner Ring Ball Bearings. . . . .28



### UCP 200 INDUSTRIAL SET SCREW LOCKING SERIES CAST-IRON PILLOW BLOCK HOUSED UNITS

- UCP pillow blocks are suggested for industrial applications where normal loads are encountered.
- Compact, one-piece housing with two-bolt mounting can be installed in any position and makes bearing replacement easy.
- These units use wide inner ring ball bearings with self-aligning spherical outside diameters that compensate for shaft misalignment.
- Timken UCP series housed units feature the Timken set screw locking (UC) bearing insert.
- Bearing prelubricated and ready for immediate installation.
- Grease fitting supplied for relubrication<sup>(1)</sup>.
- The bonded seal design is well-suited for applications involving wet or dirty environments.
- Bolt-hole spacing and base-to-center height dimensions are interchangeable with competitive units.
- Housing designed for ease of bearing replacement.

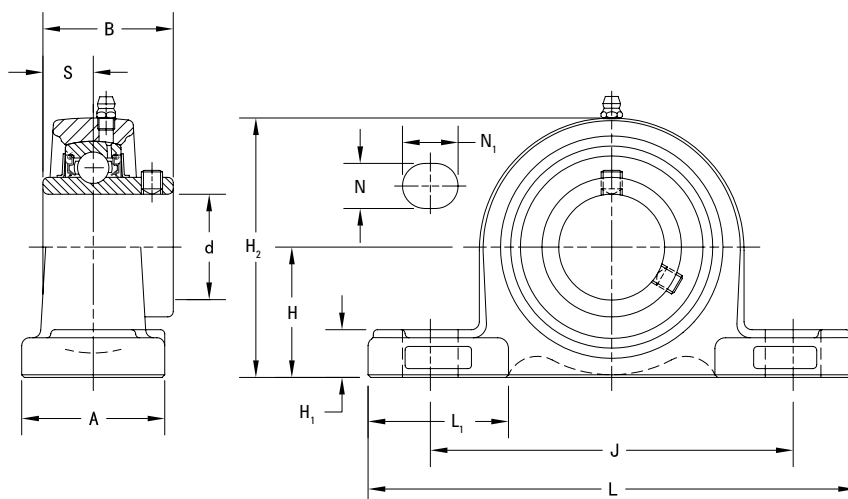
Shaft Dia. d	Pillow Block Designation	Bearing Designation	Basic Load Ratings		Dimensions											Bolt Size	Wt.	
			Dynamic C <sub>r</sub>	Static C <sub>0r</sub>	H	L	L <sub>1</sub>	A	H <sub>1</sub>	J	H <sub>2</sub>	S	B	N	N <sub>1</sub>			
mm	in.		kN lbs	kN lbs	mm in.	mm in.	mm in.	mm in.	mm in.	mm in.	mm in.	mm in.	mm in.	mm in.	mm in.	mm in.	mm in.	kg lbs
12	UCP201	UC201	12.8 2878	6.7 1495	30.2 1 3/16	127 5	36 1 13/32	38 1 1/2	16 5/8	95 3 3/4	60 2 3/8	12.7 0.500	31.0 1.220	13 1/2	18 7/8	M10 3/8	0.6 1.3	
	1/2	UCP201-8																UC201-8
15	UCP202	UC202	14 3147	7.85 1765	36.5 1 1/16	140 5 1/2	38 1 1/2	38 1 1/2	16 5/8	105 4 1/8	70 2 9/64	14.3 0.563	34.1 1.343	13 1/2	18 7/8	M10 3/8	0.8 1.8	
	3/8	UCP202-10																UC202-10
17	UCP203	UC203	19.5 4384	11.3 2540	42.9 1 11/16	165 6 1/2	48 1 7/8	48 1 7/8	17 7/8	121 4 3/4	84 3 1/8	15.9 0.626	38.1 1.500	17 7/8	21 1 1/8	M14 1/2	1.3 2.9	
	3/4	UCP204-12																UC204-12
20	UCP204	UC204	25.7 5778	15.4 3462	47.6 1 7/8	167 6 1/16	47 1 27/32	48 1 7/8	18 7/8	127 5	95 3 3/4	17.5 0.689	42.9 1.689	17 7/8	21 1 1/8	M14 1/2	1.6 3.5	
	5/8	UCP205-14																UC205-14
25	UCP205	UC205	29.1 6542	17.8 4002	49.2 1 15/16	184 7 1/4	53 2 1/2	54 2 1/8	18 7/8	137 5 13/32	98 3 27/32	19.0 0.748	49.2 1.937	17 7/8	21 1 1/8	M14 1/2	2.0 4.4	
	7/8	UCP205-15																UC205-15
30	UCP206	UC206	34.1 7666	21.3 4788	54.0 2 1/8	190 7 1/8	55 2 1/2	54 2 1/8	20 7/8	146 5 3/4	106 4 1/8	19.0 0.748	49.2 1.937	17 7/8	21 1 1/8	M14 1/2	2.2 4.9	
	1	UCP205-16																UC205-16
35	UCP206-18	UC206-18	34.1 7666	21.3 4788	54.0 2 1/8	190 7 1/8	55 2 1/2	54 2 1/8	20 7/8	146 5 3/4	106 4 1/8	19.0 0.748	49.2 1.937	17 7/8	21 1 1/8	M14 1/2	2.2 4.9	
	1 1/8	UCP206-19																UC206-19
40	UCP206-19	UC206-19	34.1 7666	21.3 4788	54.0 2 1/8	190 7 1/8	55 2 1/2	54 2 1/8	20 7/8	146 5 3/4	106 4 1/8	19.0 0.748	49.2 1.937	17 7/8	21 1 1/8	M14 1/2	2.2 4.9	
	1 1/4	UCP206-20																UC206-20
45	UCP207-20	UC207-20	34.1 7666	21.3 4788	54.0 2 1/8	190 7 1/8	55 2 1/2	54 2 1/8	20 7/8	146 5 3/4	106 4 1/8	19.0 0.748	49.2 1.937	17 7/8	21 1 1/8	M14 1/2	2.2 4.9	
	1 1/4	UCP207-21																UC207-21
45	UCP207-22	UC207-22	34.1 7666	21.3 4788	54.0 2 1/8	190 7 1/8	55 2 1/2	54 2 1/8	20 7/8	146 5 3/4	106 4 1/8	19.0 0.748	49.2 1.937	17 7/8	21 1 1/8	M14 1/2	2.2 4.9	
	1 1/2	UCP207-23																UC207-23
45	UCP208-24	UC208-24	34.1 7666	21.3 4788	54.0 2 1/8	190 7 1/8	55 2 1/2	54 2 1/8	20 7/8	146 5 3/4	106 4 1/8	19.0 0.748	49.2 1.937	17 7/8	21 1 1/8	M14 1/2	2.2 4.9	
	1 1/2	UCP208-25																UC208-25
45	UCP208	UC208	34.1 7666	21.3 4788	54.0 2 1/8	190 7 1/8	55 2 1/2	54 2 1/8	20 7/8	146 5 3/4	106 4 1/8	19.0 0.748	49.2 1.937	17 7/8	21 1 1/8	M14 1/2	2.2 4.9	
	1 3/4	UCP209-26																UC209-26
45	UCP209-27	UC209-27	34.1 7666	21.3 4788	54.0 2 1/8	190 7 1/8	55 2 1/2	54 2 1/8	20 7/8	146 5 3/4	106 4 1/8	19.0 0.748	49.2 1.937	17 7/8	21 1 1/8	M14 1/2	2.2 4.9	
	1 3/4	UCP209-28																UC209-28
45	UCP209	UC209	34.1 7666	21.3 4788	54.0 2 1/8	190 7 1/8	55 2 1/2	54 2 1/8	20 7/8	146 5 3/4	106 4 1/8	19.0 0.748	49.2 1.937	17 7/8	21 1 1/8	M14 1/2	2.2 4.9	
	1 3/4	UCP209-28																UC209-28

<sup>(1)</sup> For bore sizes up to and including 210, a 1/4-28 tapered thread fitting is used. For bore sizes greater than 211, a 1/2 BSPT fitting is used.

Continued on next page.

# U SERIES BALL BEARING HOUSED UNITS

## UCP 200 INDUSTRIAL SET SCREW LOCKING SERIES • CAST IRON PILLOW BLOCK HOUSED UNITS



Continued from previous page.

Shaft Dia. d	Pillow Block Designation	Bearing Designation	Basic Load Ratings		Dimensions											Bolt Size	Wt.	
			Dynamic C <sub>r</sub>	Static C <sub>0r</sub>	H	L	L <sub>1</sub>	A	H <sub>1</sub>	J	H <sub>2</sub>	S	B	N	N <sub>1</sub>			
mm	in.		kN lbs	kN lbs	mm in.	mm in.	mm in.	mm in.	mm in.	mm in.	mm in.	mm in.	mm in.	mm in.	mm in.	mm in.	mm in.	kg lbs
	1 7/8	UCP210-30	UC210-30	35.1 7891	23.3 5238	57.2 2 1/4	206 8 3/8	60 2 3/8	60 2 3/8	21 1 1/8	159 6 1/4	113 4 7/16	19.0 0.748	51.6 2.031	20 25/32	22 7/8	M16 5/8	2.9 6.4
	1 15/16	UCP210-31	UC210-31															
50		UCP210	UC210															
	2	UCP210-32	UC210-32	43.4 9757	29.4 6609	63.5 2 1/2	219 8 5/8	65 2 9/16	60 2 3/8	23 29/32	171 6 23/32	125 4 29/32	22.2 0.874	55.6 2.189	20 25/32	22 7/8	M16 5/8	3.6 7.9
	2	UCP211-32	UC211-32															
	2 1/8	UCP211-34	UC211-34															
55		UCP211	UC211	52.4 11780	36.2 8138	69.8 2 3/4	241 9 1/2	73 2 7/8	70 2 3/4	25 33/32	184 7 1/4	138 5 5/16	25.4 1.000	65.1 2.563	20 25/32	25 33/32	M16 5/8	4.9 10.8
	2 3/16	UCP211-35	UC211-35															
	2 1/4	UCP212-36	UC212-36															
60		UCP212	UC212	57.2 12859	40.1 9015	76.2 3	265 10 7/16	78 3 1/16	70 2 3/4	27 1 1/16	203 8	150 5 29/32	25.4 1.000	65.1 2.563	25 33/32	30 1 3/16	M20 3/4	5.9 13.0
	2 3/8	UCP212-38	UC212-38															
	2 7/16	UCP212-39	UC212-39															
	2 1/2	UCP213-40	UC213-40	62.2 13983	44.1 9914	79.4 3 1/8	266 10 15/32	75 2 61/64	72 2 27/32	27 1 1/16	210 8 3/32	157 6 3/16	30.2 1.189	74.6 2.937	25 33/32	30 1 3/16	M20 3/4	6.8 15.0
	2 3/4	UCP214-44	UC214-44															
70		UCP214	UC214															
	2 15/16	UCP215-47	UC215-47	67.4 15152	48.3 10858	82.6 3 1/4	275 10 13/16	78 3 1/16	74 2 29/32	28 1 3/32	217 8 17/32	162 6 3/8	33.3 1.311	77.8 3.063	25 33/32	30 1 3/16	M20 3/4	7.4 16.3
	3	UCP215	UC215															
	3 1/8	UCP215-48	UC215-48															
	3 1/8	UCP216-50	UC216-50	72.7 16344	53.0 11915	88.9 3 1/2	292 11 1/2	83 3 3/32	78 3 1/16	30 1 3/16	232 9 3/8	174 6 27/32	33.3 1.311	82.6 3.252	25 33/32	35 1 3/8	M20 3/4	9.0 19.8
	3 1/4	UCP216	UC216															
80		UCP216	UC216															
	3 1/4	UCP217-52	UC217-52	84 18884	61.9 13916	95.2 3 3/4	310 12 7/32	87 3 7/16	83 3 3/32	32 1 1/4	247 9 23/32	185 7 5/32	34.1 1.343	85.7 3.374	25 33/32	35 1 3/8	M20 3/4	10.8 23.8
	3 1/2	UCP217	UC217															
85		UCP217	UC217															
	3 1/2	UCP218-56	UC218-56	96.1 21604	71.5 16074	101.6 4	327 12 7/8	94 3 11/16	88 3 15/32	33 1 3/16	262 10 5/16	198 7 25/32	39.7 1.563	96.0 3.780	27 1 1/16	40 1 1/16	M22 7/8	13.9 30.6
	3 1/2	UCP218	UC218															

### UCF 200 INDUSTRIAL SET SCREW LOCKING SERIES CAST-IRON FOUR-BOLT FLANGED HOUSED UNITS

- UCF four-bolt flanged units are suggested for industrial applications where normal loads are encountered.
- Each unit comes assembled and ready for mounting, using bolts through the flange.
- These units use wide inner ring ball bearings with self-aligning spherical outside diameters that compensate for shaft misalignment.
- Timken UCF series housed units feature the Timken set screw locking (UC) bearing insert.
- Bearing prelubricated and ready for immediate installation.
- Grease fitting supplied for relubrication<sup>(1)</sup>.
- The bonded seal design is well-suited for applications involving wet or dirty environments.
- Bolt-hole spacing dimensions and shaft center location are interchangeable with competitive units.
- Housing designed for ease of bearing replacement.

Shaft Dia. d	Four-Bolt Flange Designation	Bearing Designation	Basic Load Ratings		Dimensions										Bolt Size	Wt.
			Dynamic	Static	L	J	A <sub>1</sub>	A	A <sub>0</sub>	S	B	A <sub>2</sub>	N			
			C <sub>r</sub>	C <sub>0r</sub>	mm	mm	mm	mm	mm	mm	mm	mm	mm	mm		
<b>12</b>	UCF201	UC201	<b>12.8</b> 2878	<b>6.7</b> 1495	<b>86</b> 3 3/8	<b>64</b> 2 33/64	<b>11</b> 7/16	<b>25.5</b> 1	<b>33.3</b> 1 1/16	<b>12.7</b> 0.500	<b>31.0</b> 1.220	<b>15</b> 1/2	<b>12</b> 1/2	<b>M10</b> 3/8	<b>0.6</b> 1.4	
	1/2	UCF201-8														UC201-8
<b>15</b>	UCF202	UC202														
	5/8	UCF202-10														UC202-10
<b>17</b>	UCF203	UC203	<b>14.0</b> 3147	<b>7.9</b> 1765	<b>95</b> 3 3/4	<b>70</b> 2 3/4	<b>13</b> 1/2	<b>27.0</b> 1 1/16	<b>35.8</b> 1 13/32	<b>14.3</b> 0.563	<b>34.1</b> 1.343	<b>16</b> 5/8	<b>12</b> 1 1/2	<b>M10</b> 3/8	<b>0.8</b> 1.8	
	3/4	UCF-204-12														UC204-12
<b>20</b>	UCF-204	UC204														
	7/8	UCF205-14	UC205-14													
	1 1/16	UCF205-15	UC205-15													
<b>25</b>	UCF205	UC205	<b>19.5</b> 4385	<b>11.3</b> 2540	<b>108</b> 4 1/4	<b>83</b> 3 17/64	<b>13</b> 1/2	<b>31.0</b> 1 1/2	<b>40.2</b> 1 19/32	<b>15.9</b> 0.626	<b>38.1</b> 1.500	<b>18</b> 4 5/64	<b>12</b> 1 1/2	<b>M10</b> 3/8	<b>1.2</b> 2.6	
	1	UCF205-16														UC205-16
	1 1/8	UCF206-18														UC206-18
<b>30</b>	UCF206	UC206														
	1 3/16	UCF206-19	UC206-19													
	1 1/4	UCF206-20	UC206-20													
	1 1/4	UCF207-20	UC207-20													
	1 5/16	UCF207-21	UC207-21													
	1 3/8	UCF207-22	UC207-22													
<b>35</b>	UCF207	UC207	<b>25.7</b> 5778	<b>15.4</b> 3462	<b>117</b> 4 19/32	<b>92</b> 3 3/8	<b>15</b> 1 9/32	<b>34.0</b> 1 1/2	<b>44.4</b> 1 3/4	<b>17.5</b> 0.689	<b>42.9</b> 1.689	<b>19</b> 3/4	<b>14</b> 3 5/64	<b>M12</b> 7/16	<b>1.5</b> 3.3	
	1 7/16	UCF207-23														UC207-23
	1 1/2	UCF208-24														UC208-24
	1 5/8	UCF208-25														UC208-25
<b>40</b>	UCF208	UC208	<b>29.1</b> 6542	<b>17.8</b> 4002	<b>130</b> 5 1/8	<b>102</b> 4 1/4	<b>15</b> 1 9/32	<b>36.0</b> 1 13/32	<b>51.2</b> 2 1/2	<b>19.0</b> 0.748	<b>49.2</b> 1.937	<b>21</b> 3 3/64	<b>16</b> 5/8	<b>M14</b> 1/2	<b>1.9</b> 4.2	
	1 3/4	UCF209-26														UC209-26
	1 7/8	UCF209-27														UC209-27
	1 1 1/16	UCF209-27	UC209-27													
	1 3/4	UCF209-28	UC209-28													
<b>45</b>	UCF209	UC209	<b>34.1</b> 7666	<b>21.3</b> 4788	<b>137</b> 5 13/32	<b>105</b> 4 9/64	<b>16</b> 5/8	<b>38.0</b> 1 1/2	<b>52.2</b> 2 1/16	<b>19.0</b> 0.748	<b>49.2</b> 1.937	<b>22</b> 5 5/64	<b>16</b> 5/8	<b>M14</b> 1/2	<b>2.2</b> 4.9	

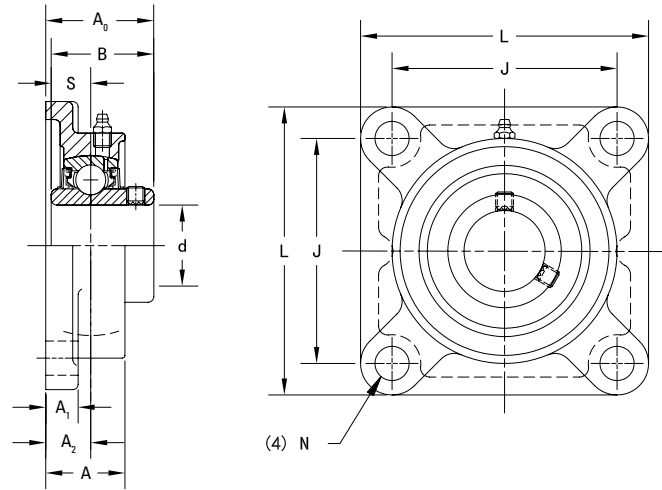
<sup>(1)</sup> For bore sizes up to and including 210, a 1/4-28 tapered thread fitting is used. For bore sizes greater than 211, a 1/2 BSPT fitting is used.

Continued on next page.



# U SERIES BALL BEARING HOUSED UNITS

## UCF 200 INDUSTRIAL SET SCREW LOCKING SERIES • CAST IRON FOUR-BOLT FLANGED HOUSED UNITS



Continued from previous page.

Shaft Dia. d	Four-Bolt Flange Designation	Bearing Designation	Basic Load Ratings		Dimensions										Bolt Size	Wt.
			Dynamic C <sub>r</sub>	Static C <sub>0r</sub>	L	J	A <sub>1</sub>	A	A <sub>0</sub>	S	B	A <sub>2</sub>	N			
mm	in.		kN lbs	kN lbs	mm in.	mm in.	mm in.	mm in.	mm in.	mm in.	mm in.	mm in.	mm in.	mm in.	mm in.	kg lbs
	1 7/8	UCF210-30	UC210-30													
	1 15/16	UCF210-31	UC210-31	35.1 7891	23.3 5238	143 5 5/8	111 4 3/8	16 5/8	40 1 1/16	54.6 2 1/2	19.0 0.748	51.6 2.031	22 5/8	16 5/8	M14 1/2	2.5 5.5
50		UCF210	UC210													
	2	UCF210-32	UC210-32													
	2	UCF211-32	UC211-32													
	2 1/8	UCF211-34	UC211-34	43.4 9757	29.4 6609	162 6 3/8	130 5 1/8	18 23/32	43 1 11/16	58.4 2 19/64	22.2 0.874	55.6 2.189	25 63/64	19 3/4	M16 5/8	3.4 7.5
55		UCF211	UC211													
	2 3/16	UCF211-35	UC211-35													
	2 1/4	UCF212-36	UC212-36													
	2 3/8	UCF212-38	UC212-38	52.4 11780	36.2 8138	175 6 7/8	143 5 5/8	18 23/32	48 1 7/8	68.7 2 45/64	25.4 1.000	65.1 2.563	29 1 1/64	19 3/4	M16 5/8	4.2 9.3
60		UCF212	UC212													
	2 7/16	UCF212-39	UC212-39													
	2 1/2	UCF213-40	UC213-40	57.2 12859	40.1 9015	187 7 3/8	149 5 55/64	22 7/8	50 1 31/32	69.7 2 3/4	25.4 1.000	65.1 2.563	30 1 3/16	19 3/4	M16 5/8	5.2 11.5
65		UCF213	UC213													
	2 3/4	UCF214-44	UC214-44	62.2 13983	44.1 9914	193 7 19/32	152 5 63/64	22 7/8	54 2 1/8	75.4 2 31/32	30.2 1.189	74.6 2.937	31 1 1/32	19 3/4	M16 5/8	5.9 13.0
70		UCF214	UC214													
	2 15/16	UCF215-47	UC215-47	67.4 15152	48.3 10858	200 7 7/8	159 6 17/64	22 7/8	56 2 7/32	78.5 3 3/32	33.3 1.311	77.8 3.060	34 1 11/32	19 3/4	M16 5/8	6.4 14.1
75		UCF215	UC215													
	3	UCF215-48	UC215-48													
	3 3/8	UCF216-50	UC216-50	72.7 16344	53.0 11915	208 8 3/16	165 6 1/2	22 7/8	58 2 5/32	83.3 3 3/32	33.3 1.311	82.6 3.252	34 1 11/32	23 29/32	M20 3/4	7.3 16.1
80		UCF216	UC216													
	3 1/4	UCF217-52	UC217-52	84.0 18884	61.9 13916	220 8 21/32	175 6 57/64	24 15/16	63 2 15/32	87.6 3 29/64	34.1 1.343	85.7 3.374	36 1 27/64	23 29/32	M20 3/4	8.9 19.6
85		UCF217	UC217													
	3 1/2	UCF218-56	UC218-56	96.1 21604	71.5 16074	235 9 1/4	187 7 23/64	25 31/32	68 2 11/16	96.3 3 25/32	39.7 1.563	96.0 3.780	40 1 37/64	23 29/32	M20 3/4	11.4 25.1
90		UCF218	UC218													

### UCFL 200 INDUSTRIAL SET SCREW LOCKING SERIES CAST-IRON TWO-BOLT FLANGED HOUSED UNITS

- UCFL two-bolt flanged units are suggested for industrial applications where normal loads are encountered.
- This series is primarily designed for applications where the mounting area is restricted.
- Each unit comes assembled and ready for mounting, using bolts through the flange.
- These units use wide inner ring ball bearings with self-aligning spherical outside diameters that compensate for shaft misalignment.
- Timken UCFL series housed units feature the Timken set screw locking (UC) bearing insert.
- Bearing prelubricated and ready for immediate installation.
- Grease fitting supplied for relubrication<sup>(1)</sup>.
- The bonded seal design is well-suited for applications involving wet or dirty environments.
- Bolt-hole spacing dimensions and shaft center location are interchangeable with competitive units.
- Housing designed for ease of bearing replacement.

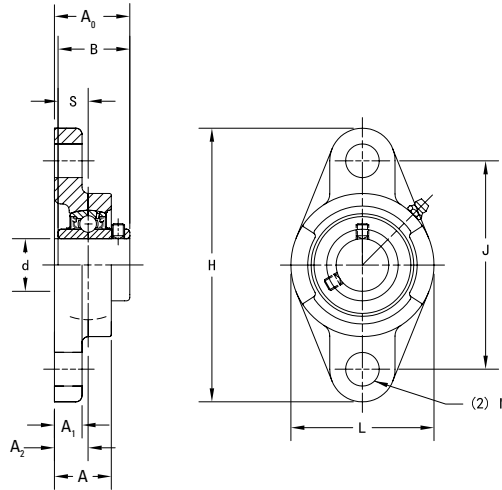
Shaft Dia. d		Two-Bolt Flange Designation	Bearing Designation	Basic Load Ratings		Dimensions										Bolt Size	Wt.	
				Dynamic C <sub>r</sub>	Static C <sub>0r</sub>	H	J	A <sub>1</sub>	A	A <sub>0</sub>	L	A <sub>2</sub>	S	B	N			
mm	in.			kN lbs	kN lbs	mm in.	mm in.	mm in.	mm in.	mm in.	mm in.	mm in.	mm in.	mm in.	mm in.	mm in.	mm in.	kg lbs
12		UCFL201	UC201	12.8 2878	6.7 1495	113 4 7/16	90 3 35/64	11 7/16	25.5 1	33.3 1 3/16	60 2 3/8	15 19/32	12.7 0.500	31.0 1.220	12 15/32	M10 3/8	0.5 1.1	
	1/2	UCFL201-8	UC201-8															
15		UCFL202	UC202	12.8 2878	6.7 1495	113 4 7/16	90 3 35/64	11 7/16	25.5 1	33.3 1 3/16	60 2 3/8	15 19/32	12.7 0.500	31.0 1.220	12 15/32	M10 3/8	0.5 1.1	
	5/8	UCFL202-10	UC202-10															
17		UCFL203	UC203	12.8 2878	6.7 1495	113 4 7/16	90 3 35/64	11 7/16	25.5 1	33.3 1 3/16	60 2 3/8	15 19/32	12.7 0.500	31.0 1.220	12 15/32	M10 3/8	0.5 1.1	
	3/4	UCFL204-12	UC204-12															
20		UCFL204	UC204	14.0 3147	7.9 1765	130 5 1/8	99 3 57/64	13 1/2	27.0 1 1/16	35.8 1 13/32	68 2 11/16	16 5/8	14.3 0.563	34.1 1.343	16 5/8	M14 1/2	0.6 1.3	
	7/8	UCFL205-14	UC205-14															
25		UCFL205-15	UC205-15	14.0 3147	7.9 1765	130 5 1/8	99 3 57/64	13 1/2	27.0 1 1/16	35.8 1 13/32	68 2 11/16	16 5/8	14.3 0.563	34.1 1.343	16 5/8	M14 1/2	0.6 1.3	
	1 1/16	UCFL205-16	UC205-16															
30		UCFL206-18	UC206-18	19.5 4385	11.3 2540	148 5 13/16	117 4 39/64	13 1/2	31.0 1 1/32	40.2 1 37/64	80 3 1/2	18 45/64	15.9 0.626	38.1 1.500	16 5/8	M14 1/2	1.0 2.2	
	1 3/16	UCFL206-19	UC206-19															
35		UCFL207-20	UC207-20	25.7 5778	15.4 3462	161 6 11/32	130 5 1/8	14 9/16	34.0 1 11/32	44.4 1 3/4	90 3 17/32	19 3/4	17.5 0.689	42.9 1.689	16 5/8	M14 1/2	1.2 2.6	
	1 1/4	UCFL207-21	UC207-21															
40		UCFL207-22	UC207-22	29.1 6542	17.8 4002	175 6 7/8	144 5 43/64	14 9/16	36.0 1 13/32	51.2 2 1/4	100 3 15/16	21 53/64	19.0 0.748	49.2 1.937	16 5/8	M14 1/2	1.6 3.5	
	1 1/4	UCFL207-23	UC207-23															
45		UCFL208-24	UC208-24	34.1 7666	21.3 4788	188 7 13/32	148 5 53/64	15 19/32	38.0 1 1/2	52.2 2 1/16	108 4 1/4	22 59/64	19.0 0.748	49.2 1.937	19 3/4	M16 5/8	1.9 4.2	
	1 1/2	UCFL208-25	UC208-25															
		UCFL208	UC208															
		UCFL209-26	UC209-26															
		UCFL209-27	UC209-27															
		UCFL209-28	UC209-28															
		UCFL209	UC209															

<sup>(1)</sup> For bore sizes up to and including 210, a 1/4-28 tapered thread fitting is used. For bore sizes greater than 211, a 1/2 BSPT fitting is used.

Continued on next page.

# U SERIES BALL BEARING HOUSED UNITS

## UCFL 200 INDUSTRIAL SET SCREW LOCKING SERIES • CAST IRON TWO-BOLT FLANGED HOUSED UNITS



Continued from previous page.

Shaft Dia. d		Two-Bolt Flange Designation	Bearing Designation	Basic Load Ratings		Dimensions										Bolt Size	Wt.
				Dynamic C <sub>r</sub>	Static C <sub>0r</sub>	H	J	A <sub>1</sub>	A	A <sub>0</sub>	L	A <sub>2</sub>	S	B	N		
mm	in.			kN lbs	kN lbs	mm in.	mm in.	mm in.	mm in.	mm in.	mm in.	mm in.	mm in.	mm in.	mm in.	mm in.	kg lbs
	1 7/8	UCFL210-30	UC210-30	35.1 7891	23.3 5238	197 7 3/4	157 6 3/16	15 19/32	40 1 1/16	54.6 2 1/2	115 4 17/32	22 55/64	19.0 0.748	51.6 2.031	19 3/4	M16 5/8	2.2 4.9
	1 15/16	UCFL210-31	UC210-31														
50		UCFL210	UC210														
	2	UCFL210-32	UC210-32	43.4 9757	29.4 6609	224 8 13/16	184 7 1/4	18 23/32	43 1 11/16	58.4 2 19/64	130 5 1/8	25 63/64	22.2 0.874	55.6 2.189	19 3/4	M16 5/8	3.3 7.3
	2	UCFL211-32	UC211-32														
	2 1/8	UCFL211-34	UC211-34														
55		UCFL211	UC211	52.4 11780	36.2 8138	250 9 27/32	202 7 61/64	18 23/32	48 1 7/8	68.7 2 45/64	140 5 1/2	29 1 9/64	25.4 1.000	65.1 2.563	23 29/32	M20 3/4	4.2 9.3
	2 3/16	UCFL211-35	UC211-35														
	2 1/4	UCFL212-36	UC212-36														
60		UCFL212	UC212	57.2 12859	40.1 9015	258 10 3/32	210 8 17/64	20 25/32	50 1 31/32	69.7 2 3/4	155 6 3/32	30 1 3/16	25.4 1.000	65.1 2.563	23 29/32	M20 3/4	5.1 11.2
	2 3/8	UCFL212-38	UC212-38														
	2 7/16	UCFL212-39	UC212-39														
65		UCFL213-40	UC213-40	62.2 13983	44.1 9914	265 10 7/16	216 8 1/2	20 25/32	54 2 1/8	75.4 2 31/32	160 6 5/16	31 1 7/32	30.2 1.189	74.6 2.937	23 29/32	M20 3/4	5.7 12.6
	2 3/4	UCFL214-44	UC214-44														
70		UCFL214	UC214														
	2 15/16	UCFL215-47	UC215-47	67.4 15152	48.3 10858	275 12 13/16	225 8 55/64	20 25/32	56 2 7/32	78.5 3 3/32	165 6 1/2	34 1 11/32	33.3 1.311	77.8 3.063	23 29/32	M20 3/4	6.4 14.1
75		UCFL215	UC215														
	3	UCFL215-48	UC215-48														
	3 1/8	UCFL216-50	UC216-50	72.7 16344	53.0 11915	290 11 13/32	233 9 11/64	20 25/32	58 2 9/32	83.3 3 3/32	180 7 3/32	34 1 11/32	33.3 1.311	82.6 3.252	25 63/64	M22 7/8	7.8 17.2
80		UCFL216	UC216														
	3 1/4	UCFL217-52	UC217-52														
85		UCFL217	UC217	84.0 18884	61.9 13916	305 12	248 9 49/64	22 7/8	63 2 15/32	87.6 3 29/64	190 7 15/32	36 1 27/64	34.1 1.343	85.7 3.374	25 63/64	M22 7/8	9.8 21.6
	3 1/2	UCFL218-56	UC218-56														
90		UCFL218	UC218														

### UCFC 200 INDUSTRIAL SET SCREW LOCKING SERIES CAST-IRON PILOTED ROUND FLANGED HOUSED UNITS

- UCFC piloted flanged units are suggested for industrial applications where normal loads are encountered.
- UCFC piloted round flanged units ensure accurate mounting fits and provide better support for heavy loads.
- Each unit comes assembled and ready for mounting, using bolts through the flange.
- These units use wide inner ring ball bearings with self-aligning spherical outside diameters that compensate for shaft misalignment.
- Timken UCFC series housed units feature the Timken set screw locking (UC) bearing insert.
- Bearing prelubricated and ready for immediate installation.
- Grease fitting supplied for relubrication<sup>(1)</sup>.
- The bonded seal design is well-suited for industrial applications involving wet or dirty environments.
- Bolt-hole spacing dimensions and shaft center location are interchangeable with competitive units.
- Housing designed for ease of bearing replacement.

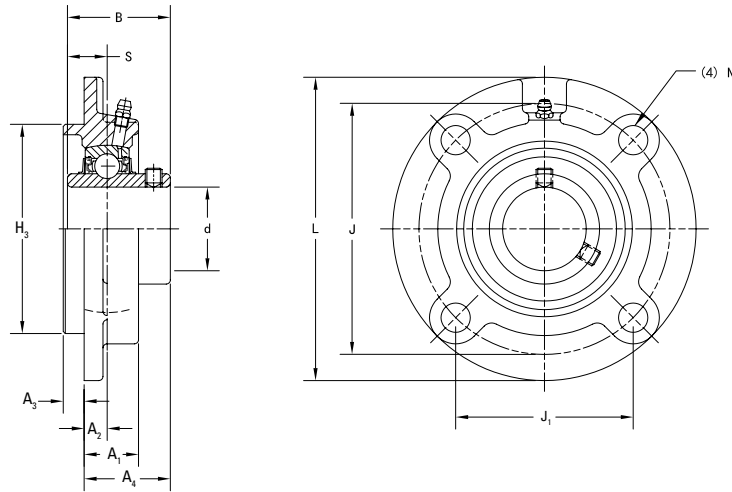
Shaft Dia. d		Round Flange Cartridge Designation	Bearing Designation	Basic Load Ratings		Dimensions											Bolt Size	Wt.
				Dynamic C <sub>r</sub>	Static C <sub>0r</sub>	L	J	J <sub>1</sub>	A <sub>1</sub>	A <sub>2</sub>	A <sub>3</sub>	A <sub>4</sub>	H <sub>3</sub>	S	B	N		
mm	in.			kN lbs.	kN lbs.	mm in.	mm in.	mm in.	mm in.	mm in.	mm in.	mm in.	mm in.	mm in.	mm in.	mm in.	mm in.	kg lbs.
12		UCFC201	UC201	12.8 2878	6.65 1495	100 3 17/32	78 3 3/64	55.1 2 11/64	20.5 13/16	10 25/64	5 13/64	28.3 1 1/8	62 2.441	12.7 0.500	31.0 1.220	12 15/32	M10 3/8	0.7 1.5
	1/2	UCFC201-8	UC201-8															
15		UCFC202	UC202															
	5/8	UCFC202-10	UC202-10	14 3147	7.85 1765	115 4 17/32	90 3 35/64	63.6 2 1/2	21.0 13/16	10 25/64	6 15/64	29.8 1 3/16	70 2.756	14.3 0.563	34.1 1.343	12 15/32	M10 3/8	1.0 2.2
	3/4	UCFC203	UC203															
17		UCFC204	UC204															
	7/8	UCFC204-12	UC204-12	19.5 4384	11.3 2540	125 4 23/32	100 3 15/16	70.7 2 23/32	23.0 29/32	10 25/64	8 5/16	32.2 1 1/32	80 3.150	15.9 0.626	38.1 1.500	12 15/32	M10 3/8	1.3 2.9
20		UCFC205	UC205															
	1	UCFC205-16	UC205-16															
	1 1/8	UCFC206	UC206	25.7 5778	15.4 3462	135 5 5/16	110 4 23/64	77.8 3 1/16	26.0 1 1/32	11 7/16	8 5/16	36.4 1 1/16	90 3.543	17.5 0.689	42.9 1.689	14 35/64	M12 7/16	1.7 3.7
	1 1/4	UCFC206-18	UC206-18															
30		UCFC206-19	UC206-19															
	1 3/8	UCFC206-20	UC206-20	29.1 6542	17.8 4002	145 5 23/32	120 4 23/32	84.8 3 11/32	26.0 1 1/32	11 7/16	10 25/64	41.2 1 5/8	100 3.937	19.0 0.748	49.2 1.937	14 35/64	M12 7/16	2.0 4.4
	1 1/2	UCFC206-21	UC206-21															
	1 5/8	UCFC207	UC207															
	1 3/4	UCFC207-22	UC207-22	34.1 7666	21.3 4788	160 6 3/16	132 5 13/64	93.3 3 43/64	26.0 1 1/32	10 25/64	12 15/32	40.2 1 19/32	105 4.134	19.0 0.748	49.2 1.937	16 3/8	M14 1/2	2.6 5.7
	1 7/8	UCFC207-23	UC207-23															
35		UCFC208	UC208															
	1 7/8	UCFC209	UC209															

<sup>(1)</sup> For bore sizes up to and including 210, a 1/4-28 tapered thread fitting is used. For bore sizes greater than 211, a 1/8 BSPT fitting is used.

Continued on next page.

# U SERIES BALL BEARING HOUSED UNITS

## UCFC 200 INDUSTRIAL SET SCREW LOCKING SERIES • CAST-IRON PILOTED ROUND FLANGED HOUSED UNITS



Continued from previous page.

Shaft Dia. d		Round Flange Cartridge Designation	Bearing Designation	Basic Load Ratings		Dimensions										Bolt Size	Wt.	
				Dynamic C <sub>r</sub>	Static C <sub>0r</sub>	L	J	J <sub>1</sub>	A <sub>1</sub>	A <sub>2</sub>	A <sub>3</sub>	A <sub>4</sub>	H <sub>3</sub>	S	B			N
mm	in.			kN lbs.	kN lbs.	mm in.	mm in.	mm in.	mm in.	mm in.	mm in.	mm in.	mm in.	mm in.	mm in.	mm in.	mm in.	kg lbs.
	1 7/8	UCFC210-30	UC210-30	35.1 7891	23.3 5238	165 6 1/2	138 5 7/16	97.6 3 27/32	28 1 3/32	10 25/64	12 15/32	42.6 1 11/16	110 4.331	19.0 0.748	51.6 2.031	16 5/8	M14 1/2	2.9 6.4
	1 15/16	UCFC210-31	UC210-31															
50		UCFC210	UC210															
	2	UCFC210-32	UC210-32	43.4 9757	29.4 6609	185 7 3/32	150 5 29/32	106.1 4 11/64	31 1 7/32	13 33/64	12 15/32	46.4 1 13/16	125 4.921	22.2 0.874	55.6 2.189	19 3/4	M16 5/8	4.2 9.3
	2	UCFC211-32	UC211-32															
	2 1/8	UCFC211-34	UC211-34															
55		UCFC211	UC211	52.4 11780	36.2 8138	195 7 11/16	160 6 9/64	113.1 4 29/64	36 1 13/32	17 43/64	12 15/32	56.7 2 7/32	135 5.315	25.4 1.000	65.1 2.563	19 3/4	M16 5/8	5.0 11.0
	2 3/16	UCFC211-35	UC211-35															
	2 1/4	UCFC212-36	UC212-36															
60		UCFC212	UC212	57.2 12859	40.1 9015	205 8 1/16	170 6 11/16	120.2 4 47/64	36 1 13/32	16 5/8	14 35/64	55.7 2 3/16	145 5.709	25.4 1.000	65.1 2.563	19 3/4	M16 5/8	5.6 12.3
	2 3/8	UCFC212-38	UC212-38															
	2 7/16	UCFC212-39	UC212-39															
	2 1/2	UCFC213-40	UC213-40	62.2 13983	44.1 9914	215 8 15/32	177 6 31/32	125.1 4 59/64	40 1 37/64	17 43/64	14 35/64	61.4 2 13/32	150 5.906	30.2 1.189	74.6 2.937	19 3/4	M16 5/8	6.8 15.0
	2 3/4	UCFC214-44	UC214-44															
	2 15/16	UCFC215-47	UC215-47															
75		UCFC215	UC215	67.4 15152	48.3 10858	220 8 21/32	184 7 1/4	130.1 5 5/8	40 1 37/64	18 45/64	16 5/8	62.5 2 15/32	160 6.299	33.3 1.311	77.8 3.063	19 3/4	M16 5/8	7.2 15.9
	3	UCFC215-48	UC215-48															
	3 1/8	UCFC216-50	UC216-50															
80		UCFC216	UC216	72.7 16344	53 11915	240 9 7/16	200 7 7/8	141.4 5 9/16	42 1 21/32	18 45/64	16 5/8	67.3 2 21/32	170 6.693	33.3 1.311	82.6 3.252	23 29/32	M20 3/4	8.7 19.2
	3 1/4	UCFC217-52	UC217-52															
	3 1/2	UCFC218-56	UC218-56															
85		UCFC217	UC217	96.1 21604	71.5 16074	265 10 7/16	220 8 27/32	155.5 6 1/8	50 1 31/32	22 55/64	18 45/64	78.3 3 3/32	190 7.480	39.7 1.563	96.0 3.780	23 29/32	M20 3/4	14.8 32.6
	3 1/2	UCFC218-56	UC218-56															
	3 1/2	UCFC218	UC218															

### UCT 200 INDUSTRIAL SET SCREW LOCKING SERIES CAST-IRON TAKE-UP HOUSED UNITS

- UCT take-up units are suggested for industrial applications where normal loads are encountered.
- UCT take-up units are used where shaft adjustment and belt-tightening devices are required, such as in conveyor applications.
- These units provide compact, efficient supports for adjustable shafts and conveyor take-up pulleys.
- Each unit comes assembled and ready for mounting.
- These units use wide inner ring ball bearings with self-aligning spherical outside diameters that compensate for shaft misalignment.
- Timken UCT series housed units feature the Timken set screw locking (UC) bearing insert.
- Bearing prelubricated and ready for immediate installation.
- Grease fitting supplied for relubrication<sup>(1)</sup>.
- The bonded seal design is well-suited for industrial applications involving wet or dirty environments.
- Slot spacing and width are interchangeable with competitive units.
- Housing designed for ease of bearing replacement.

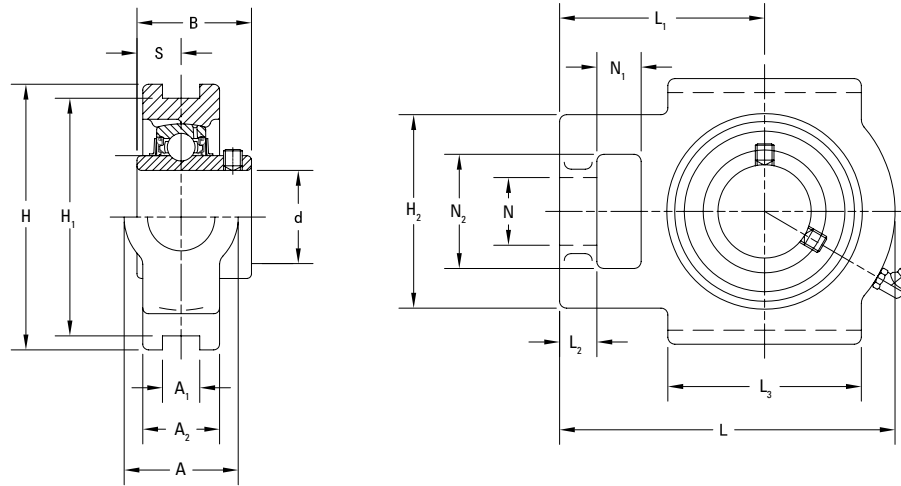
Shaft Dia. d		Take-Up Unit Designation	Bearing Designation	Basic Load Ratings		Dimensions															Wt.
				Dynamic C <sub>r</sub>	Static C <sub>0r</sub>	H	H <sub>1</sub>	L <sub>2</sub>	L <sub>1</sub>	A <sub>2</sub>	A	N	L	H <sub>2</sub>	S	B	L <sub>3</sub>	N <sub>1</sub>	N <sub>2</sub>	A <sub>1</sub>	
mm	in.				mm	mm	mm	mm	mm	mm	mm	mm	mm	mm	mm	mm	mm	mm	mm	mm	kg
				lbs	lbs	in.	in.	in.	in.	in.	in.	in.	in.	in.	in.	in.	in.	in.	in.	in.	lbs
12		UCT201	UC201																		
	½	UCT201-8	UC201-8																		
15		UCT202	UC202																		
	⅝	UCT202-10	UC202-10	12.8	6.7	89	76	10	61	21	32	19	94	51	12.7	31.0	51	16	32	12	0.8
				2878	1495	3 ½	2 63/64	1 3/32	2 13/32	1 3/16	1 ¼	¾	3 11/16	2	0.500	1.220	2	⅝	1 ¼	1 5/32	1.8
17		UCT203	UC203																		
	¾	UCT204-12	UC204-12																		
20		UCT204	UC204																		
	⅞	UCT205-14	UC205-14																		
	1 1/16	UCT205-15	UC205-15	14.0	7.9	89	76	10	62	24	32	19	97	51	14.3	34.1	51	16	32	12	0.8
				3147	1765	3 ½	2 63/64	1 3/32	2 7/16	1 5/16	1 ¼	¾	3 13/16	2	0.563	1.343	2	⅝	1 ¼	1 5/32	1.9
25		UCT205	UC205																		
	1	UCT205-16	UC205-16																		
	1 ⅛	UCT206-18	UC206-18																		
30		UCT206	UC206																		
	1 3/16	UCT206-19	UC206-19	19.5	11.3	102	89	10	70	28	37	22	113	56	15.9	38.1	57	16	37	12	1.3
				4385	2540	4 ½	3 ½	1 3/32	2 ¾	1 3/32	1 15/32	7/8	4 7/16	2 7/32	0.626	1.500	2 ¼	⅝	1 15/32	1 5/32	2.9
	1 ¼	UCT206-20	UC206-20																		
	1 ¼	UCT207-20	UC207-20																		
	1 5/16	UCT207-21	UC207-21																		
	1 ⅜	UCT207-22	UC207-22	25.7	15.4	102	89	13	78	30	37	22	129	64	17.5	42.9	64	16	37	12	1.6
				5778	3462	4 ½	3 ½	½	3 1/16	1 3/16	1 15/32	7/8	5 3/32	2 11/32	0.689	1.689	2 11/32	⅝	1 15/32	1 5/32	3.5
35		UCT207	UC207																		
	1 7/16	UCT207-23	UC207-23																		
	1 ½	UCT208-24	UC208-24																		
	1 5/16	UCT208-25	UC208-25	29.1	17.8	114	102	16	88	33	49	29	144	83	19.0	49.2	83	19	49	16	2.5
				6542	4002	4 ½	4 1/4	⅝	3 15/32	1 5/16	1 15/16	1 5/32	5 21/32	3 9/32	0.748	1.937	3 9/32	¾	1 15/16	⅝	5.5
40		UCT208	UC208																		
	1 ⅝	UCT209-26	UC209-26																		
	1 11/16	UCT209-27	UC209-27	34.1	21.3	117	102	16	87	35	49	29	144	83	19.0	49.2	83	19	49	16	2.5
				7666	4788	4 19/32	4 1/4	⅝	3 7/16	1 ⅜	1 15/16	1 5/32	5 21/32	3 9/32	0.748	1.937	3 9/32	¾	1 15/16	⅝	5.5
45		UCT209	UC209																		

<sup>(1)</sup> For bore sizes up to and including 210, a ¼-28 tapered thread fitting is used. For bore sizes greater than 211, a ½ BSPT fitting is used.

Continued on next page.

# U SERIES BALL BEARING HOUSED UNITS

## UCT 200 INDUSTRIAL SET SCREW LOCKING SERIES • CAST-IRON TAKE-UP HOUSED UNITS



Continued from previous page.

Shaft Dia. d	Take-Up Unit Designation	Bearing Designation	Basic Load Ratings		Dimensions															Wt.	
			Dynamic C <sub>r</sub>	Static C <sub>0r</sub>	H	H <sub>1</sub>	L <sub>2</sub>	L <sub>1</sub>	A <sub>2</sub>	A	N	L	H <sub>2</sub>	S	B	L <sub>3</sub>	N <sub>1</sub>	N <sub>2</sub>	A <sub>1</sub>		
mm	in.		kN lbs	kN lbs	mm in.	mm in.	mm in.	mm in.	mm in.	mm in.	mm in.	mm in.	mm in.	mm in.	mm in.	mm in.	mm in.	mm in.	mm in.	mm in.	kg lbs
	1 7/8	UCT210-30	UC210-30	35.1 7891	23.3 5238	117 4 19/32	102 4 1/4	16 5/8	90 3 17/32	37 1 13/16	49 1 9/16	29 1 1/2	149 5 7/8	83 3 9/32	19.0 0.748	51.6 2.031	86 3 3/8	19 3/4	49 1 15/16	16 5/8	2.6
	1 15/16	UCT210-31	UC210-31																		
50		UCT210	UC210																		
	2	UCT210-32	UC210-32	43.4 9757	29.4 6609	146 5 3/4	130 5 1/8	19 3/4	106 4 3/16	38 1 1/2	64 2 17/32	35 1 3/8	171 6 23/32	102 4 1/2	22.2 0.874	55.6 2.189	95 3 3/4	25 3 1/2	64 2 17/32	22 55/64	4.0
	2	UCT211-32	UC211-32																		
	2 1/8	UCT211-34	UC211-34																		
55		UCT211	UC211																		
	2 3/16	UCT211-35	UC211-35	52.4 11780	36.2 8138	146 5 3/4	130 5 1/8	19 3/4	119 4 11/16	42 1 23/32	64 2 17/32	35 1 3/8	194 7 7/8	102 4 1/2	25.4 1.000	65.1 2.563	102 4 1/2	32 1 1/4	64 2 17/32	22 55/64	4.9
	2 1/4	UCT212-36	UC212-36																		
60		UCT212	UC212																		
	2 3/8	UCT212-38	UC212-38	57.2 12859	40.1 9015	167 6 9/16	151 5 15/16	21 1 3/16	137 5 13/32	44 1 23/32	70 2 3/4	41 1 5/8	224 8 13/16	111 4 3/8	25.4 1.000	65.1 2.563	121 4 3/4	32 1 1/4	70 2 3/4	26 1 1/2	6.9
	2 7/16	UCT212-39	UC212-39																		
65		UCT213-40	UC213-40																		
	2 1/2	UCT213	UC213	62.2 13983	44.1 9914	167 6 9/16	151 5 15/16	21 1 3/16	137 5 13/32	46 1 13/16	70 2 3/4	41 1 5/8	224 8 13/16	111 4 3/8	30.2 1.189	74.6 2.937	121 4 3/4	32 1 1/4	70 2 3/4	26 1 1/2	7.0
70		UCT214-44	UC214-44																		
	2 3/4	UCT214	UC214																		
	2 15/16	UCT215-47	UC215-47	67.4 15152	48.3 10858	167 6 9/16	151 5 15/16	21 1 3/16	140 5 1/2	48 1 7/8	70 2 3/4	41 1 5/8	232 9 1/8	111 4 3/8	33.3 1.331	77.8 3.063	121 4 3/4	32 1 1/4	70 2 3/4	26 1 1/2	7.3
75		UCT215	UC215																		
	3	UCT215-48	UC215-48																		
	3 1/8	UCT216-50	UC216-50	72.7 16344	53.0 11915	184 7 1/4	165 6 1/2	21 1 3/16	140 5 1/2	51 2	70 2 3/4	41 1 5/8	235 9 1/4	111 4 3/8	33.3 1.331	82.6 3.252	121 4 3/4	32 1 1/4	70 2 3/4	26 1 1/2	8.2
80		UCT216	UC216																		
	3 1/4	UCT217-52	UC217-52																		
85		UCT217	UC217	18884	13916	198 7 25/32	173 6 13/16	29 1 5/32	162 6 3/8	54 2 1/8	73 2 7/8	48 1 7/8	260 10 1/4	124 4 7/8	34.1 1.343	85.7 3.374	157 6 3/16	38 1 1/2	73 2 7/8	30 1 3/16	11.0



### UC 200 INDUSTRIAL SET SCREW LOCKING SERIES WIDE INNER RING BALL BEARINGS

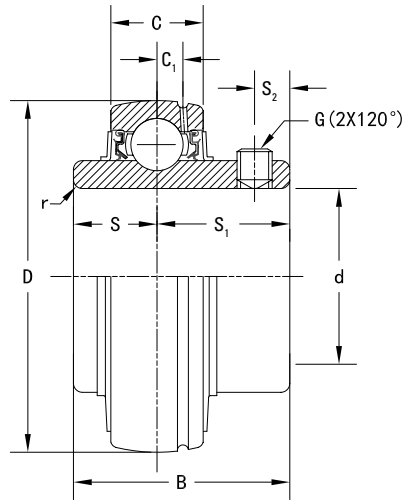
- The UC wide inner ring ball bearing uses a popular set screw locking mechanism and is suggested for industrial applications where normal loads are encountered.
- The set screw mounting feature is ideal for reversing load applications.
- Bearing prelubricated and ready for immediate installation.
- The wide inner ring provides effective shaft support for a broad range of industrial applications.
- The positive contact of the land-riding bonded nitrile seal helps protect against harmful contaminants and retains lubricant under severe operating conditions.
- An external steel flinger provides additional protection from contamination.
- The UC series features superfinished raceways, grade-10 balls for smooth running and low noise operation.
- UC series wide inner ring ball bearings have spherical outside diameters for use in housings with corresponding spherical inside surfaces to compensate for shaft misalignment.

Shaft Dia. d		Bearing Designation	Basic Load Ratings		Dimensions							Min. Fillet Radius r (min.)	Set Screw Size G	Wt.
			Dynamic	Static	D	C	B	S <sub>2</sub>	C <sub>1</sub>	S	S <sub>1</sub>			
			C <sub>r</sub>	C <sub>0r</sub>										
mm	in.		kN lbs	kN lbs	mm in.	mm in.	mm in.	mm in.	mm in.	mm in.	mm in.	mm in.	kg lbs	
12		UC201												
	½	UC201-8											M6×0.75 ¼-28UNF	0.2 0.5
15		UC202	12.8 2878	6.7 1495	47 1.850	16 0.630	31.0 1.220	5.0 0.197	3.9 0.153	12.7 0.500	18.3 0.720	0.6 0.024	M6×0.75 ¼-28UNF	0.2 0.4
	⅝	UC202-10											M6×0.75 ¼-28UNF	0.2 0.4
17		UC203											M6×0.75	0.2 0.4
	¾	UC204-12	12.8 2878	6.7 1495	47 1.850	16 0.630	31.0 1.220	5.0 0.197	3.9 0.153	12.7 0.500	18.3 0.720	1 0.039	¼-28UNF M6×0.75	0.2 0.4
20		UC204											M6×0.75	0.2 0.4
	⅞	UC205-14											¼-28UNF	0.2 0.5
	1⅙	UC205-15	14.0 3147	7.9 1765	52 2.047	17 0.669	34.1 1.343	5.5 0.217	4.5 0.177	14.3 0.563	19.8 0.780	1 0.039	¼-28UNF M6×0.75	0.2 0.4
25		UC205											M6×0.75	0.2 0.5
	1	UC205-16											¼-28UNF	0.2 0.4
	1⅛	UC206-18											¼-28UNF	0.3 0.7
30		UC206	19.5 4385	11.3 2540	62 2.441	19 0.748	38.1 1.500	6.0 0.236	5.0 0.197	15.9 0.626	22.2 0.874	1 0.039	M6×0.75 ¼-28UNF	0.3 0.7
	1⅜	UC206-19											¼-28UNF	0.3 0.7
	1¼	UC206-20											¼-28UNF	0.3 0.7
	1¼	UC207-20												
	1⅙	UC207-21											⅝-24UNF	0.5 1.2
	1⅜	UC207-22	25.7 5778	15.4 3462	72 2.835	20 0.787	42.9 1.689	6.5 0.256	5.7 0.224	17.5 0.689	25.4 1.000	1.1 0.043	⅝-24UNF	0.5 1.1
35		UC207											M8×1	0.5 1.1
	1⅞	UC207-23											⅝-28UNF	0.5 1.0
	1½	UC208-24											⅝-24UNF	0.7 1.5
	1⅞	UC208-25	29.1 6542	17.8 4002	80 3.15	21 0.827	49.2 1.937	8.0 0.315	5.9 0.232	19.0 0.748	30.2 1.189	1.1 0.043	⅝-24UNF	0.6 1.3
40		UC208											M8×1	0.6 1.4
	1⅞	UC209-26											⅝-24UNF	0.8 1.7
	1⅞	UC209-27	34.1 7666	21.3 4788	85 3.346	22 0.866	49.2 1.937	8.0 0.315	6.0 0.236	19.0 0.748	30.2 1.189	1.1 0.043	⅝-24UNF	0.7 1.6
	1¾	UC209-28											⅝-24UNF	0.7 1.5
45		UC209											M8×1	0.7 1.5

Continued on next page.

# U SERIES BALL BEARING HOUSED UNITS

## UC 200 INDUSTRIAL SET SCREW LOCKING SERIES • WIDE INNER RING BALL BEARINGS



Continued from previous page.

Shaft Dia. d	Bearing Designation	Basic Load Ratings		Dimensions								Min. Fillet Radius r (min.)	Set Screw Size G	Wt.
		Dynamic C <sub>r</sub>	Static C <sub>0r</sub>	D	C	B	S <sub>2</sub>	C <sub>1</sub>	S	S <sub>1</sub>				
mm	in.	kN lbs	kN lbs	mm in.	mm in.	mm in.	mm in.	mm in.	mm in.	mm in.	mm in.	mm in.	kg lbs	
50	1 7/8 UC210-30	35.1 7891	23.3 5238	90 3.543	24 0.945	51.6 2.031	9.0 0.354	6.0 0.236	19.0 0.748	32.6 1.283	1.1 0.043	3/8-24UNF	0.9 1.9	
	1 5/16 UC210-31											3/8-24UNF	0.8 1.8	
	UC210											M10x1.25	0.8 1.8	
	2 UC210-32											3/8-24UNF	0.8 1.7	
55	2 UC211-32	43.4 9757	29.4 6609	100 3.937	25 0.984	55.6 2.189	9.0 0.354	7.0 0.276	22.2 0.874	33.4 1.315	1.5 0.059	3/8-24UNF	1.3 2.8	
	2 1/8 UC211-34											3/8-24UNF	1.2 2.5	
	UC211											M10x1.25	1.1 2.4	
	2 3/16 UC211-35											3/8-24UNF	1.1 2.4	
60	2 1/4 UC212-36	52.4 11780	36.2 8138	110 4.331	27 1.063	65.1 2.563	10.5 0.413	7.4 0.291	25.4 1.000	39.7 1.563	1.5 0.059	3/8-24UNF	1.7 3.7	
	UC212											M10x1.25	1.5 3.4	
	2 3/8 UC212-38											3/8-24UNF	1.5 3.4	
	2 7/16 UC212-39											3/8-24UNF	1.5 3.2	
65	2 1/2 UC213-40	57.2 12859	40.1 9015	120 4.724	28 1.102	65.1 2.563	12.0 0.472	7.5 0.295	25.4 1.000	39.7 1.563	1.5 0.059	1/2-20UNF	1.9 4.2	
	UC213											M12x1.5	1.9 4.1	
	2 3/4 UC214-44											1/2-20UNF	2.1 4.5	
	UC214											M12x1.5	2.1 4.5	
75	2 5/16 UC215-47	67.4 15152	48.3 10858	130 5.118	32 1.26	77.8 3.063	12.0 0.472	9.0 0.354	33.3 1.311	44.5 1.752	1.5 0.059	1/2-20UNF	2.2 4.9	
	UC215											M12x1.5	2.2 4.9	
	3 UC215-48											1/2-20UNF	2.1 4.7	
80	3 1/8 UC216-50	72.7 16344	53.0 11915	140 5.512	33 1.299	82.6 3.252	14.0 0.551	8.9 0.350	33.3 1.311	49.3 1.941	2.0 0.079	1/2-20UNF	2.8 6.3	
	UC216											M12x1.5	2.8 6.2	
85	3 1/4 UC217-52	84.0 18884	61.9 13916	150 5.906	35 1.378	85.7 3.374	14.0 0.551	9.8 0.386	34.1 1.343	51.6 2.031	2.0 0.079	1/2-20UNF	3.7 8.1	
	UC217											M12x1.5	3.5 7.6	
90	3 1/2 UC218-56	96.1 21604	71.5 16074	160 6.299	38 1.496	96.0 3.78	15.0 0.591	11.1 0.437	39.7 1.563	56.3 2.217	2.0 0.079	1/2-20UNF	4.5 9.8	
	UC218											M12x1.5	4.4 9.6	



***UEL 200 INDUSTRIAL ECCENTRIC  
LOCKING COLLAR SERIES***

The following topics are covered within this section:

UELP 200 Pillow Block Housed Units . . . . .	32
UELF 200 Four-Bolt Flanged Housed Units. . . . .	34
UELFL 200 Two-Bolt Flanged Housed Units . . . . .	36
UELFC 200 Piloted Round Flanged Housed Units . . . . .	38
UELT 200 Take-Up Housed Units . . . . .	40
UEL 200 Wide Inner Ring Ball Bearings . . . . .	42



### UELP 200 INDUSTRIAL ECCENTRIC LOCKING COLLAR SERIES CAST-IRON PILLOW BLOCK HOUSED UNITS

- UELP pillow blocks are suggested for industrial applications where normal loads are encountered.
- Compact, one-piece housing with two-bolt mounting can be installed in any position and makes bearing replacement easy.
- These units use wide inner ring ball bearings with self-aligning spherical outside diameters that compensate for shaft misalignment.
- Timken UELP series housed units feature the Timken eccentric locking collar (UEL) bearing insert.
- Bearing prelubricated and ready for immediate installation.
- Grease fitting supplied for relubrication<sup>(1)</sup>.
- The bonded seal design is well-suited for applications involving wet or dirty environments.
- Bolt-hole spacing and base-to-center height dimensions are interchangeable with competitive units.
- Housing designed for ease of bearing replacement.

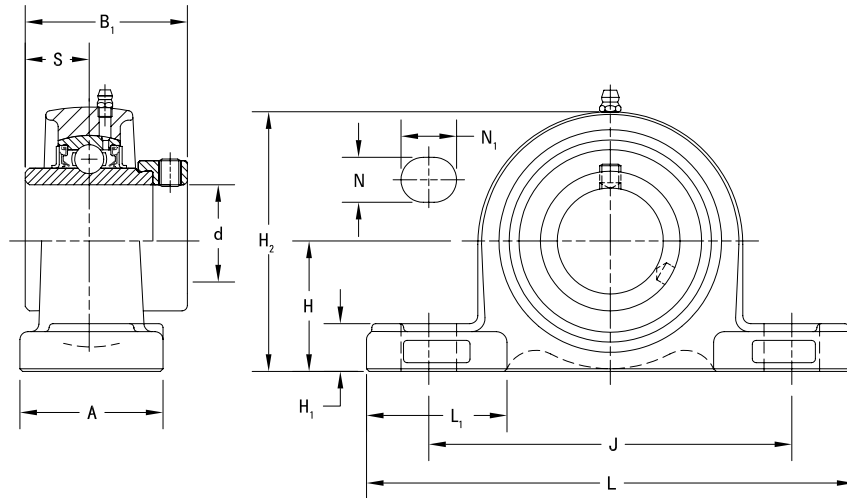
Shaft Dia. d		Pillow Block Designation	Bearing Designation	Basic Load Ratings		Dimensions											Bolt Size	Wt.
				Dynamic C <sub>r</sub>	Static C <sub>0r</sub>	H	L	L <sub>1</sub>	A	H <sub>1</sub>	J	H <sub>2</sub>	S	B <sub>1</sub>	N	N <sub>1</sub>		
mm	in.			kN lbs	kN lbs	mm in.	mm in.	mm in.	mm in.	mm in.	mm in.	mm in.	mm in.	mm in.	mm in.	mm in.	mm in.	kg lbs
12		UELP201	UEL201	12.8 2878	6.7 1495	30.2 1 3/16	127 5	36 1 13/32	38 1 1/2	16 5/8	95 3 3/4	60 2 3/8	17.1 0.673	43.7 1.720	13 1/2	18 2 3/32	M10 3/8	0.8 1.7
	1/2	UELP201-8	UEL201-8															
15		UELP202	UEL202	12.8 2878	6.7 1495	30.2 1 3/16	127 5	36 1 13/32	38 1 1/2	16 5/8	95 3 3/4	60 2 3/8	17.1 0.673	43.7 1.720	13 1/2	18 2 3/32	M10 3/8	0.8 1.7
	5/8	UELP202-10	UEL202-10															
17		UELP203	UEL203	12.8 2878	6.7 1495	33.3 1 5/16	127 5	36 1 13/32	38 1 1/2	16 5/8	95 3 3/4	65 2 9/16	17.1 0.673	43.7 1.720	13 1/2	18 2 3/32	M10 3/8	0.8 1.7
	3/4	UELP204-12	UEL204-12															
20		UELP204	UEL204	12.8 2878	6.7 1495	33.3 1 5/16	127 5	36 1 13/32	38 1 1/2	16 5/8	95 3 3/4	65 2 9/16	17.1 0.673	43.7 1.720	13 1/2	18 2 3/32	M10 3/8	0.8 1.7
	7/8	UELP205-14	UEL205-14															
25		UELP205-15	UEL205-15	14 3147	7.9 1765	36.5 1 7/16	140 5 1/2	38 1 1/2	38 1 1/2	16 5/8	105 4 1/8	70 2 3/4	17.5 0.689	44.4 1.748	13 1/2	18 2 3/32	M10 3/8	0.9 2.0
	15/16	UELP205	UEL205															
30		UELP205-16	UEL205-16	19.5 4384	11.3 2540	42.9 1 11/16	165 6 1/2	48 1 7/8	48 1 7/8	17 2 3/32	121 4 3/4	84 3 5/16	18.3 0.720	48.4 1.906	17 2 1/32	21 1 3/16	M14 1/2	1.4 3.1
	1 1/8	UELP206-18	UEL206-18															
35		UELP206-19	UEL206-19	25.7 5778	15.4 3462	47.6 1 7/8	167 6 9/16	47 1 27/32	48 1 7/8	18 2 3/32	127 5	95 3 3/4	18.8 0.740	51.1 2.012	17 2 1/32	21 1 3/16	M14 1/2	1.8 4.0
	1 3/16	UELP206-20	UEL206-20															
40		UELP207-20	UEL207-20	29.1 6542	17.8 4002	49.2 1 15/16	184 7 1/4	53 2 3/32	54 2 1/8	18 2 3/32	137 5 13/32	98 3 27/32	21.4 0.843	56.3 2.217	17 2 1/32	21 1 3/16	M14 1/2	2.2 4.9
	1 1/4	UELP207-21	UEL207-21															
40		UELP207-22	UEL207-22	29.1 6542	17.8 4002	49.2 1 15/16	184 7 1/4	53 2 3/32	54 2 1/8	18 2 3/32	137 5 13/32	98 3 27/32	21.4 0.843	56.3 2.217	17 2 1/32	21 1 3/16	M14 1/2	2.2 4.9
	1 3/8	UELP207-23	UEL207-23															
40		UELP208-24	UEL208-24	29.1 6542	17.8 4002	49.2 1 15/16	184 7 1/4	53 2 3/32	54 2 1/8	18 2 3/32	137 5 13/32	98 3 27/32	21.4 0.843	56.3 2.217	17 2 1/32	21 1 3/16	M14 1/2	2.2 4.9
	1 3/4	UELP208-25	UEL208-25															
40		UELP208	UEL208	29.1 6542	17.8 4002	49.2 1 15/16	184 7 1/4	53 2 3/32	54 2 1/8	18 2 3/32	137 5 13/32	98 3 27/32	21.4 0.843	56.3 2.217	17 2 1/32	21 1 3/16	M14 1/2	2.2 4.9

<sup>(1)</sup> For bore sizes up to and including 210, a 1/4-28 tapered thread fitting is used. For bore sizes greater than 211, a 1/2 BSPT fitting is used.

Continued on next page.

# U SERIES BALL BEARING HOUSED UNITS

## UEL200 INDUSTRIAL ECCENTRIC LOCKING COLLAR SERIES • CAST-IRON PILLOW BLOCK HOUSED UNITS



Continued from previous page.

Shaft Dia. d		Pillow Block Designation	Bearing Designation	Basic Load Ratings		Dimensions											Bolt Size	Wt.	
				Dynamic Cr	Static Cor	H	L	L1	A	H1	J	H2	S	B1	N	N1			
mm	in.			kN lbs	kN lbs	mm in.	mm in.	mm in.	mm in.	mm in.	mm in.	mm in.	mm in.	mm in.	mm in.	mm in.	mm in.	mm in.	kg lbs
	1 5/8	UEL209-26	UEL209-26																
	1 11/16	UEL209-27	UEL209-27	<b>34.1</b>	<b>21.3</b>	<b>54.0</b>	<b>190</b>	<b>55</b>	<b>54</b>	<b>20</b>	<b>146</b>	<b>106</b>	<b>21.4</b>	<b>56.3</b>	<b>17</b>	<b>21</b>	<b>M14</b>	<b>2.5</b>	
	1 3/4	UEL209-28	UEL209-28	7666	4788	2 1/2	7 15/32	2 3/32	2 1/8	25/32	5 3/4	4 3/16	0.843	2.217	2 1/2	1 3/16	1/2	5.5	
<b>45</b>		UEL209	UEL209																
	1 7/8	UEL210-30	UEL210-30																
	1 15/16	UEL210-31	UEL210-31	<b>35.1</b>	<b>23.3</b>	<b>57.2</b>	<b>206</b>	<b>60</b>	<b>60</b>	<b>21</b>	<b>159</b>	<b>113</b>	<b>24.6</b>	<b>62.7</b>	<b>20</b>	<b>22</b>	<b>M16</b>	<b>3.2</b>	
<b>50</b>		UEL210	UEL210	7891	5238	2 1/4	8 1/8	2 3/8	2 3/8	13/16	6 1/4	4 7/16	0.969	2.469	25/32	7/8	5/8	7.1	
	2	UEL210-32	UEL210-32																
	2	UEL211-32	UEL211-32																
	2 1/8	UEL211-34	UEL211-34	<b>43.4</b>	<b>29.4</b>	<b>63.5</b>	<b>219</b>	<b>65</b>	<b>60</b>	<b>23</b>	<b>171</b>	<b>125</b>	<b>27.8</b>	<b>71.4</b>	<b>20</b>	<b>22</b>	<b>M16</b>	<b>4.0</b>	
<b>55</b>		UEL211	UEL211	9757	6609	2 1/2	8 3/8	2 9/16	2 3/8	29/32	6 29/32	4 29/32	1.094	2.811	25/32	7/8	5/8	8.8	
	2 3/16	UEL211-35	UEL211-35																
	2 1/4	UEL212-36	UEL212-36	<b>52.4</b>	<b>36.2</b>	<b>69.8</b>	<b>241</b>	<b>73</b>	<b>70</b>	<b>25</b>	<b>184</b>	<b>138</b>	<b>31.0</b>	<b>77.8</b>	<b>20</b>	<b>25</b>	<b>M16</b>	<b>5.2</b>	
<b>60</b>		UEL212	UEL212	11780	8138	2 3/4	9 1/2	2 7/8	2 3/4	31/32	7 1/4	5 7/16	1.220	3.063	25/32	31/32	5/8	11.5	
	2 7/16	UEL212-39	UEL212-39																
	2 1/2	UEL213-40	UEL213-40	<b>57.2</b>	<b>40.1</b>	<b>76.2</b>	<b>265</b>	<b>78</b>	<b>70</b>	<b>27</b>	<b>203</b>	<b>150</b>	<b>34.1</b>	<b>85.7</b>	<b>25</b>	<b>30</b>	<b>M20</b>	<b>6.5</b>	
<b>65</b>		UEL213	UEL213	12859	9015	3	10 7/16	3 1/16	2 3/4	1 1/16	8	5 29/32	1.343	3.374	31/32	1 3/16	3/4	14.3	
	2 3/4	UEL214-44	UEL214-44	<b>62.2</b>	<b>44.1</b>	<b>79.4</b>	<b>266</b>	<b>75</b>	<b>72</b>	<b>27</b>	<b>210</b>	<b>157</b>	<b>34.1</b>	<b>85.7</b>	<b>25</b>	<b>30</b>	<b>M20</b>	<b>7.4</b>	
<b>70</b>		UEL214	UEL214	13983	9914	3 1/8	10 15/32	2 61/64	2 27/32	1 1/16	8 3/32	6 3/16	1.343	3.374	31/32	1 3/16	3/4	16.3	
	2 15/16	UEL215-47	UEL215-47	<b>67.4</b>	<b>48.3</b>	<b>82.6</b>	<b>275</b>	<b>78</b>	<b>74</b>	<b>28</b>	<b>217</b>	<b>162</b>	<b>37.3</b>	<b>92.1</b>	<b>25</b>	<b>30</b>	<b>M20</b>	<b>7.9</b>	
<b>75</b>		UEL215	UEL215	15152	10858	3 1/4	10 13/16	3 1/16	2 29/32	1 3/32	8 17/32	6 3/8	1.469	3.626	31/32	1 3/16	3/4	17.4	
	3	UEL215-48	UEL215-48																

### UELF 200 INDUSTRIAL ECCENTRIC LOCKING COLLAR SERIES CAST-IRON FOUR-BOLT FLANGED HOUSED UNITS

- UELF four-bolt flanged units are suggested for industrial applications where normal loads are encountered.
- Each unit comes assembled and ready for mounting, using bolts through the flange.
- These units use wide inner ring ball bearings with self-aligning spherical outside diameters that compensate for shaft misalignment.
- Timken UELF series housed units feature the Timken eccentric locking collar (UEL) bearing insert.
- Bearing prelubricated and ready for immediate installation.
- Grease fitting supplied for relubrication<sup>(1)</sup>.
- The bonded seal design is well-suited for applications involving wet or dirty environments.
- Bolt-hole spacing dimensions and shaft center location are interchangeable with competitive units.
- Housing designed for ease of bearing replacement.

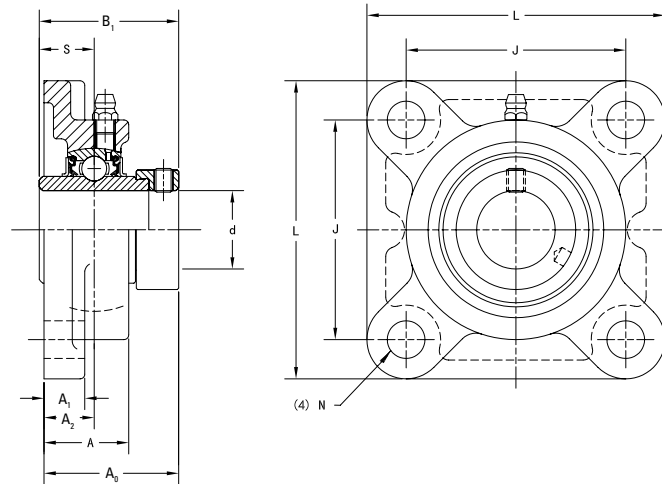
Shaft Dia. d		Four-Bolt Flange Designation	Bearing Designation	Basic Load Ratings		Dimensions									Bolt Size	Wt.
				Dynamic C <sub>r</sub>	Static C <sub>0r</sub>	L	J	A <sub>1</sub>	A	A <sub>0</sub>	S	B <sub>1</sub>	A <sub>2</sub>	N		
mm	in.			kN lbs	kN lbs	mm in.	mm in.	mm in.	mm in.	mm in.	mm in.	mm in.	mm in.	mm in.	mm in.	kg lbs
12		UELF201	UEL201	12.8 2878	6.7 1495	86 3 3/8	64 2 33/64	11 7/16	25.5 1	41.6 1 41/64	17.1 0.673	43.7 1.720	15 19/32	12 15/32	M10 3/8	0.7 1.5
	1/2	UELF201-8	UEL201-8													
15		UELF202	UEL202	12.8 2878	6.7 1495	86 3 3/8	64 2 33/64	11 7/16	25.5 1	41.6 1 41/64	17.1 0.673	43.7 1.720	15 19/32	12 15/32	M10 3/8	0.7 1.5
	3/8	UELF202-10	UEL202-10													
17		UELF203	UEL203	12.8 2878	6.7 1495	86 3 3/8	64 2 33/64	11 7/16	25.5 1	41.6 1 41/64	17.1 0.673	43.7 1.720	15 19/32	12 15/32	M10 3/8	0.7 1.5
	3/4	UELF204-12	UEL204-12													
20		UELF204	UEL204	14.0 3147	7.9 1765	95 3 3/4	70 2 3/4	13 1/2	27.0 1 1/16	42.9 1 11/16	17.5 0.689	44.4 1.748	16 5/8	12 15/32	M10 3/8	0.9 1.9
	7/8	UELF205-14	UEL205-14													
25		UELF205-15	UEL205-15	14.0 3147	7.9 1765	95 3 3/4	70 2 3/4	13 1/2	27.0 1 1/16	42.9 1 11/16	17.5 0.689	44.4 1.748	16 5/8	12 15/32	M10 3/8	0.9 1.9
	1 1/16	UELF205-15	UEL205-15													
25		UELF205	UEL205	14.0 3147	7.9 1765	95 3 3/4	70 2 3/4	13 1/2	27.0 1 1/16	42.9 1 11/16	17.5 0.689	44.4 1.748	16 5/8	12 15/32	M10 3/8	0.9 1.9
	1	UELF205-16	UEL205-16													
30		UELF206-18	UEL206-18	19.5 4384	11.3 2540	108 4 1/4	83 3 17/64	13 1/2	31.0 1 1/2	48.1 1 57/64	18.3 0.720	48.4 1.906	18 45/64	12 15/32	M10 3/8	1.2 2.6
	1 3/16	UELF206-19	UEL206-19													
30		UELF206	UEL206	19.5 4384	11.3 2540	108 4 1/4	83 3 17/64	13 1/2	31.0 1 1/2	48.1 1 57/64	18.3 0.720	48.4 1.906	18 45/64	12 15/32	M10 3/8	1.2 2.6
	1 1/4	UELF206-20	UEL206-20													
35		UELF207-20	UEL207-20	25.7 5778	15.4 3462	117 4 19/32	92 3 3/8	15 19/32	34.0 1 11/32	51.3 2 1/64	18.8 0.740	51.1 2.012	19 3/4	14 35/64	M12 7/16	1.6 3.6
	1 1/4	UELF207-21	UEL207-21													
35		UELF207	UEL207	25.7 5778	15.4 3462	117 4 19/32	92 3 3/8	15 19/32	34.0 1 11/32	51.3 2 1/64	18.8 0.740	51.1 2.012	19 3/4	14 35/64	M12 7/16	1.6 3.6
	1 3/8	UELF207-22	UEL207-22													
40		UELF207-23	UEL207-23	29.1 6542	17.8 4002	130 5 1/8	102 4 1/64	15 19/32	36.0 1 13/32	55.9 2 13/64	21.4 0.843	56.3 2.217	21 53/64	16 5/8	M14 1/2	2.0 4.5
	1 7/16	UELF207-23	UEL207-23													
40		UELF208-24	UEL208-24	29.1 6542	17.8 4002	130 5 1/8	102 4 1/64	15 19/32	36.0 1 13/32	55.9 2 13/64	21.4 0.843	56.3 2.217	21 53/64	16 5/8	M14 1/2	2.0 4.5
	1 1/2	UELF208-24	UEL208-24													
40		UELF208-25	UEL208-25	29.1 6542	17.8 4002	130 5 1/8	102 4 1/64	15 19/32	36.0 1 13/32	55.9 2 13/64	21.4 0.843	56.3 2.217	21 53/64	16 5/8	M14 1/2	2.0 4.5
	1 3/4	UELF208-25	UEL208-25													
40		UELF208	UEL208	29.1 6542	17.8 4002	130 5 1/8	102 4 1/64	15 19/32	36.0 1 13/32	55.9 2 13/64	21.4 0.843	56.3 2.217	21 53/64	16 5/8	M14 1/2	2.0 4.5

<sup>(1)</sup> For bore sizes up to and including 210, a 1/4-28 tapered thread fitting is used. For bore sizes greater than 211, a 1/2 BSPT fitting is used.

Continued on next page.

# U SERIES BALL BEARING HOUSED UNITS

## UELF 200 INDUSTRIAL ECCENTRIC LOCKING COLLAR SERIES • CAST-IRON FOUR-BOLT FLANGED HOUSED UNITS



Continued from previous page.

Shaft Dia. d		Four-Bolt Flange Designation	Bearing Designation	Basic Load Ratings		Dimensions									Bolt Size	Wt.
				Dynamic C <sub>r</sub>	Static C <sub>0r</sub>	L	J	A <sub>1</sub>	A	A <sub>0</sub>	S	B <sub>1</sub>	A <sub>2</sub>	N		
mm	in.			kN lbs	kN lbs	mm in.	mm in.	mm in.	mm in.	mm in.	mm in.	mm in.	mm in.	mm in.	mm in.	kg lbs
	1 5/8	UELF209-26	UEL209-26													
	1 11/16	UELF209-27	UEL209-27	<b>34.1</b>	<b>21.3</b>	<b>137</b>	<b>105</b>	<b>16</b>	<b>38</b>	<b>56.9</b>	<b>21.4</b>	<b>56.3</b>	<b>22</b>	<b>16</b>	<b>M14</b>	<b>2.4</b>
	1 3/4	UELF209-28	UEL209-28	7666	4788	5 13/32	4 9/64	5/8	1 1/2	2 15/64	0.843	2.217	55/64	5/8	M14	5.2
<b>45</b>		UELF209	UEL209													
	1 7/8	UELF210-30	UEL210-30													
	1 15/16	UELF210-31	UEL210-31	<b>35.1</b>	<b>23.3</b>	<b>143</b>	<b>111</b>	<b>16</b>	<b>40</b>	<b>60.1</b>	<b>24.6</b>	<b>62.7</b>	<b>22</b>	<b>16</b>	<b>M14</b>	<b>2.7</b>
<b>50</b>		UELF210	UEL210	7891	5238	5 5/8	4 3/8	5/8	1 9/16	2 23/64	0.969	2.469	55/64	5/8	M14	6.0
	2	UELF210-32	UEL210-32													
	2	UELF211-32	UEL211-32													
	2 1/8	UELF211-34	UEL211-34	<b>43.4</b>	<b>29.4</b>	<b>162</b>	<b>130</b>	<b>18</b>	<b>43</b>	<b>68.6</b>	<b>27.8</b>	<b>71.4</b>	<b>25</b>	<b>19</b>	<b>M16</b>	<b>3.7</b>
<b>55</b>		UELF211	UEL211	9757	6609	6 3/8	5 1/8	23/32	1 11/16	2 45/64	1.094	2.811	63/64	3/4	M16	8.1
	2 3/16	UELF211-35	UEL211-35													
	2 1/4	UELF212-36	UEL212-36	<b>52.4</b>	<b>36.2</b>	<b>175</b>	<b>143</b>	<b>18</b>	<b>48</b>	<b>75.8</b>	<b>31.0</b>	<b>77.8</b>	<b>29</b>	<b>19</b>	<b>M16</b>	<b>4.5</b>
<b>60</b>		UELF212	UEL212	11780	8138	6 7/8	5 5/8	23/32	1 7/8	2 63/64	1.220	3.063	1 1/64	3/4	M16	10.0
	2 7/16	UELF212-39	UEL212-39													
	2 1/2	UELF213-40	UEL213-40	<b>57.2</b>	<b>40.1</b>	<b>187</b>	<b>149</b>	<b>22</b>	<b>50</b>	<b>81.6</b>	<b>34.1</b>	<b>85.7</b>	<b>30</b>	<b>19</b>	<b>M16</b>	<b>5.8</b>
<b>65</b>		UELF213	UEL213	12859	9015	7 3/8	5 55/64	7/8	1 33/32	3 13/16	1.343	3.374	1 3/16	3/4	M16	12.8
	2 3/4	UELF214-44	UEL214-44	<b>62.2</b>	<b>44.1</b>	<b>193</b>	<b>152</b>	<b>22</b>	<b>54</b>	<b>82.6</b>	<b>34.1</b>	<b>85.7</b>	<b>31</b>	<b>19</b>	<b>M16</b>	<b>6.8</b>
<b>70</b>		UELF214	UEL214	13983	9914	7 19/32	5 63/64	7/8	2 1/8	3 1/4	1.343	3.374	1 7/32	3/4	M16	14.9
	2 15/16	UELF215-47	UEL215-47	<b>67.4</b>	<b>48.3</b>	<b>200</b>	<b>159</b>	<b>22</b>	<b>56</b>	<b>88.8</b>	<b>37.3</b>	<b>92.1</b>	<b>34</b>	<b>19</b>	<b>M16</b>	<b>6.9</b>
<b>75</b>		UELF215	UEL215	15152	10858	7 7/8	6 17/64	7/8	2 7/32	3 33/64	1.469	3.626	1 11/32	3/4	M16	15.3
	3	UELF215-48	UEL215-48													



### UELFL 200 INDUSTRIAL ECCENTRIC LOCKING COLLAR SERIES CAST-IRON TWO-BOLT FLANGED HOUSED UNITS

- UELFL two-bolt flanged units are suggested for industrial applications where normal loads are encountered.
- This series is primarily designed for applications where the mounting area is restricted.
- Each unit comes assembled and ready for mounting, using bolts through the flange.
- These units use wide inner ring ball bearings with self-aligning spherical outside diameters that compensate for shaft misalignment.
- Timken UELFL series housed units feature the Timken eccentric locking collar (UEL) bearing insert.
- Bearing prelubricated and ready for immediate installation.
- Grease fitting supplied for relubrication<sup>(1)</sup>.
- The bonded seal design is well-suited for applications involving wet or dirty environments.
- Bolt-hole spacing dimensions and shaft center location are interchangeable with competitive units.
- Housing designed for ease of bearing replacement.

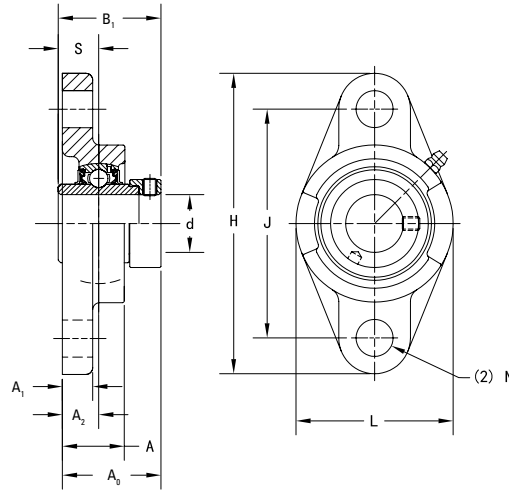
Shaft Dia. d		Two-Bolt Flange Designation	Bearing Designation	Basic Load Ratings		Dimensions										Bolt Size	Wt.
				Dynamic C <sub>r</sub>	Static C <sub>0r</sub>	H	J	A <sub>1</sub>	A	A <sub>0</sub>	L	A <sub>2</sub>	S	B <sub>1</sub>	N		
mm	in.			kN lbs	kN lbs	mm in.	mm in.	mm in.	mm in.	mm in.	mm in.	mm in.	mm in.	mm in.	mm in.	mm in.	kg lbs
12		UELFL201	UEL201	12.8 2878	6.7 1495	113 4 7/16	90 3 35/64	11 7/16	25.5 1	41.6 1 1/4	60 2 3/8	15 1 9/32	17.1 0.673	43.7 1.720	12 1 1/2	M10 3/8	0.6 1.2
	1/2	UELFL201-8	UEL201-8														
15		UELFL202	UEL202	12.8 2878	6.7 1495	113 4 7/16	90 3 35/64	11 7/16	25.5 1	41.6 1 1/4	60 2 3/8	15 1 9/32	17.1 0.673	43.7 1.720	12 1 1/2	M10 3/8	0.6 1.2
	5/8	UELFL202-10	UEL202-10														
17		UELFL203	UEL203	12.8 2878	6.7 1495	113 4 7/16	90 3 35/64	11 7/16	25.5 1	41.6 1 1/4	60 2 3/8	15 1 9/32	17.1 0.673	43.7 1.720	12 1 1/2	M10 3/8	0.6 1.2
	3/4	UELFL204-12	UEL204-12														
20		UELFL204	UEL204	14 3147	7.9 1765	130 5 1/8	99 3 57/64	13 1/2	27.0 1 1/16	42.9 1 11/16	68 2 11/16	16 5/8	17.5 0.689	44.4 1.748	16 5/8	M14 1/2	0.7 1.5
	7/8	UELFL205-14	UEL205-14														
25		UELFL205	UEL205	14 3147	7.9 1765	130 5 1/8	99 3 57/64	13 1/2	27.0 1 1/16	42.9 1 11/16	68 2 11/16	16 5/8	17.5 0.689	44.4 1.748	16 5/8	M14 1/2	0.7 1.5
	1 1/16	UELFL205-15	UEL205-15														
30		UELFL205-16	UEL205-16	19.5 4384	11.3 2540	148 5 13/16	117 4 39/64	13 1/2	31.0 1 1/32	48.1 1 57/64	80 3 1/32	18 45/64	18.3 0.720	48.4 1.906	16 5/8	M14 1/2	1.0 2.2
	1 1/8	UELFL206-18	UEL206-18														
35		UELFL206	UEL206	25.7 5778	15.4 3462	161 5 11/32	130 5 1/8	14 9/16	34.0 1 11/32	51.3 2 1/64	90 3 11/32	19 3/4	18.8 0.740	51.1 2.012	16 5/8	M14 1/2	1.3 2.9
	1 3/16	UELFL206-19	UEL206-19														
40		UELFL206-20	UEL206-20	29.1 6542	17.8 4002	175 6 3/8	144 5 43/64	14 9/16	36.0 1 13/32	55.9 2 1/64	100 3 13/16	21 53/64	21.4 0.843	56.3 2.217	16 5/8	M14 1/2	1.7 3.8
	1 1/4	UELFL207-20	UEL207-20														
40		UELFL207-21	UEL207-21	25.7 5778	15.4 3462	161 5 11/32	130 5 1/8	14 9/16	34.0 1 11/32	51.3 2 1/64	90 3 11/32	19 3/4	18.8 0.740	51.1 2.012	16 5/8	M14 1/2	1.3 2.9
	1 5/16	UELFL207-22	UEL207-22														
40		UELFL207	UEL207	29.1 6542	17.8 4002	175 6 3/8	144 5 43/64	14 9/16	36.0 1 13/32	55.9 2 1/64	100 3 13/16	21 53/64	21.4 0.843	56.3 2.217	16 5/8	M14 1/2	1.7 3.8
	1 3/8	UELFL207-23	UEL207-23														
40		UELFL208-24	UEL208-24	29.1 6542	17.8 4002	175 6 3/8	144 5 43/64	14 9/16	36.0 1 13/32	55.9 2 1/64	100 3 13/16	21 53/64	21.4 0.843	56.3 2.217	16 5/8	M14 1/2	1.7 3.8
	1 1/2	UELFL208-25	UEL208-25														
40		UELFL208	UEL208	29.1 6542	17.8 4002	175 6 3/8	144 5 43/64	14 9/16	36.0 1 13/32	55.9 2 1/64	100 3 13/16	21 53/64	21.4 0.843	56.3 2.217	16 5/8	M14 1/2	1.7 3.8

<sup>(1)</sup> For bore sizes up to and including 210, a 1/4-28 tapered thread fitting is used. For bore sizes greater than 211, a 1/2 BSPT fitting is used.

Continued on next page.

# U SERIES BALL BEARING HOUSED UNITS

## UELFL 200 INDUSTRIAL ECCENTRIC LOCKING COLLAR SERIES • CAST-IRON TWO-BOLT FLANGED HOUSED UNITS



Continued from previous page.

Shaft Dia. d		Two-Bolt Flange Designation	Bearing Designation	Basic Load Ratings		Dimensions										Bolt Size	Wt.
				Dynamic C <sub>r</sub>	Static C <sub>0r</sub>	H	J	A <sub>1</sub>	A	A <sub>0</sub>	L	A <sub>2</sub>	S	B <sub>1</sub>	N		
mm	in.			kN lbs	kN lbs	mm in.	mm in.	mm in.	mm in.	mm in.	mm in.	mm in.	mm in.	mm in.	mm in.	mm in.	kg lbs
	1 5/8	UELFL209-26	UEL209-26														
	1 11/16	UELFL209-27	UEL209-27	<b>34.1</b>	<b>21.3</b>	<b>188</b>	<b>148</b>	<b>15</b>	<b>38</b>	<b>56.9</b>	<b>108</b>	<b>22</b>	<b>21.4</b>	<b>56.3</b>	<b>19</b>	<b>M16</b>	<b>2.1</b>
	1 3/4	UELFL209-28	UEL209-28	7666	4788	7 13/32	5 53/64	1 1/2	1 1/2	2 13/64	4 1/4	5 5/64	0.843	2.217	3/4	M16	4.6
<b>45</b>		UELFL209	UEL209														
	1 7/8	UELFL210-30	UEL210-30														
	1 15/16	UELFL210-31	UEL210-31	<b>35.1</b>	<b>23.3</b>	<b>197</b>	<b>157</b>	<b>15</b>	<b>40</b>	<b>60.1</b>	<b>115</b>	<b>22</b>	<b>24.6</b>	<b>62.7</b>	<b>19</b>	<b>M16</b>	<b>2.4</b>
<b>50</b>		UELFL210	UEL210	7891	4788	7 3/4	6 3/16	1 1/2	1 1/16	2 23/64	4 17/32	5 5/64	0.969	2.469	3/4	M16	5.3
	2	UELFL210-32	UEL210-32														
	2	UELFL211-32	UEL211-32														
	2 1/8	UELFL211-34	UEL211-34	<b>43.4</b>	<b>29.4</b>	<b>224</b>	<b>184</b>	<b>18</b>	<b>43</b>	<b>68.6</b>	<b>130</b>	<b>25</b>	<b>27.8</b>	<b>71.4</b>	<b>19</b>	<b>M16</b>	<b>3.6</b>
<b>55</b>		UELFL211	UEL211	9757	6609	8 13/16	7 1/4	1 3/32	1 11/16	2 43/64	5 1/8	6 3/64	1.094	2.811	3/4	M16	7.9
	2 3/16	UELFL211-35	UEL211-35														
	2 1/4	UELFL212-36	UEL212-36	<b>52.4</b>	<b>36.2</b>	<b>250</b>	<b>202</b>	<b>18</b>	<b>48</b>	<b>75.8</b>	<b>140</b>	<b>29</b>	<b>31.0</b>	<b>77.8</b>	<b>23</b>	<b>M20</b>	<b>4.5</b>
<b>60</b>		UELFL212	UEL212	11780	8138	9 27/32	7 61/64	1 3/32	1 7/8	2 63/64	5 1/2	1 1/64	1.220	3.063	29/32	M20	10.0
	2 7/16	UELFL212-39	UEL212-39														
	2 1/2	UELFL213-40	UEL213-40	<b>57.2</b>	<b>40.1</b>	<b>258</b>	<b>210</b>	<b>20</b>	<b>50</b>	<b>81.6</b>	<b>155</b>	<b>30</b>	<b>34.1</b>	<b>85.7</b>	<b>23</b>	<b>M20</b>	<b>5.7</b>
<b>65</b>		UELFL213	UEL213	12859	9015	10 9/32	8 17/64	1 3/32	1 31/32	3 7/32	6 3/32	1 3/16	1.343	3.374	29/32	M20	12.5
	2 3/4	UELFL214-44	UEL214-44	<b>62.2</b>	<b>44.1</b>	<b>265</b>	<b>216</b>	<b>20</b>	<b>54</b>	<b>82.6</b>	<b>160</b>	<b>31</b>	<b>34.1</b>	<b>85.7</b>	<b>23</b>	<b>M20</b>	<b>6.6</b>
<b>70</b>		UELFL214	UEL214	13983	9914	10 7/16	8 1/2	1 5/32	2 1/8	3 1/4	6 5/16	1 7/32	1.343	3.374	29/32	M20	14.5
	2 15/16	UELFL215-47	UEL215-47	<b>67.4</b>	<b>48.3</b>	<b>275</b>	<b>225</b>	<b>20</b>	<b>56</b>	<b>88.8</b>	<b>165</b>	<b>34</b>	<b>37.3</b>	<b>92.1</b>	<b>23</b>	<b>M20</b>	<b>6.9</b>
<b>75</b>		UELFL215	UEL215	15152	10858	10 13/16	8 55/64	1 5/32	2 7/32	3 1/2	6 1/2	1 11/32	1.469	3.626	29/32	M20	15.3
	3	UELFL215-48	UEL215-48														

## UELFC 200 INDUSTRIAL ECCENTRIC LOCKING COLLAR SERIES CAST-IRON PILOTED ROUND FLANGED HOUSED UNITS

- UELFC piloted round flanged units are suggested for industrial applications where normal loads are encountered.
- UELFC piloted round flanged units ensure accurate mounting fits and provide better support for heavy loads.
- Each unit comes assembled and ready for mounting, using bolts through the flange.
- These units use wide inner ring ball bearings with self-aligning spherical outside diameters that compensate for shaft misalignment.
- Timken UELFC series housed units feature the Timken eccentric locking collar (UEL) bearing insert.
- Bearing prelubricated and ready for immediate installation.
- Grease fitting supplied for relubrication<sup>(1)</sup>.
- The bonded seal design is well-suited for industrial applications involving wet or dirty environments.
- Bolt-hole spacing dimensions and shaft center location are interchangeable with competitive units.
- Housing designed for ease of bearing replacement.

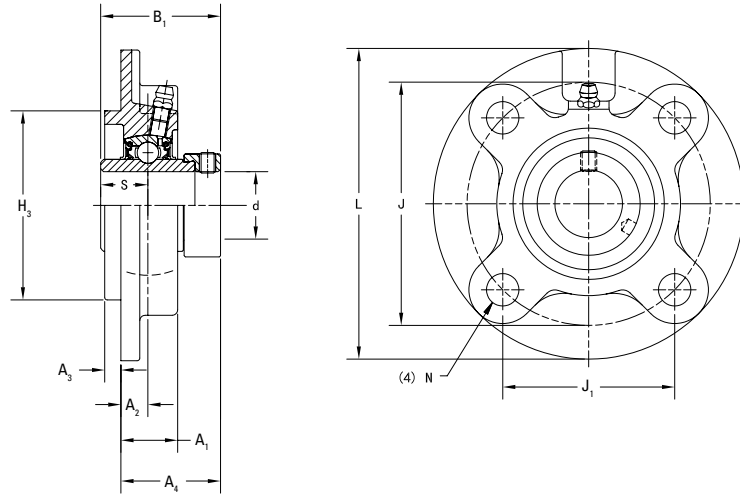
Shaft Dia. d		Round Flange Cartridge Designation	Bearing Designation	Basic Load Ratings		Dimensions											Bolt Size	Wt.
				Dynamic C <sub>r</sub>	Static C <sub>0r</sub>	L	J	J <sub>1</sub>	A <sub>1</sub>	A <sub>2</sub>	A <sub>3</sub>	A <sub>4</sub>	H <sub>3</sub>	S	B <sub>1</sub>	N		
mm	in.			kN lbs.	kN lbs.	mm in.	mm in.	mm in.	mm in.	mm in.	mm in.	mm in.	mm in.	mm in.	mm in.	mm in.	mm in.	kg lbs.
12		UELFC201	UEL201	12.8 2878	6.65 1495	100 3 13/16	78 3 3/4	55.1 2 11/64	20.5 13/16	10 25/64	5 13/64	36.6 1 7/16	62 2.441	17.1 0.673	43.7 1.720	12 15/32	M10 3/8	0.8 1.8
	1/2	UELFC201-8	UEL201-8															
15		UELFC202	UEL202	12.8 2878	6.65 1495	100 3 13/16	78 3 3/4	55.1 2 11/64	20.5 13/16	10 25/64	5 13/64	36.6 1 7/16	62 2.441	17.1 0.673	43.7 1.720	12 15/32	M10 3/8	0.8 1.8
	3/8	UELFC202-10	UEL202-10															
17		UELFC203	UEL203	12.8 2878	6.65 1495	100 3 13/16	78 3 3/4	55.1 2 11/64	20.5 13/16	10 25/64	5 13/64	36.6 1 7/16	62 2.441	17.1 0.673	43.7 1.720	12 15/32	M10 3/8	0.8 1.8
	3/4	UELFC203-12	UEL203-12															
20		UELFC204	UEL204	14 3147	7.85 1765	115 4 17/32	90 3 35/64	63.6 2 1/2	21.0 13/16	10 25/64	6 15/64	36.9 1 29/64	70 2.756	17.5 0.689	44.4 1.748	12 15/32	M10 3/8	1.0 2.2
	7/8	UELFC204-14	UEL204-14															
25		UELFC205	UEL205	14 3147	7.85 1765	115 4 17/32	90 3 35/64	63.6 2 1/2	21.0 13/16	10 25/64	6 15/64	36.9 1 29/64	70 2.756	17.5 0.689	44.4 1.748	12 15/32	M10 3/8	1.0 2.2
	15/16	UELFC205-15	UEL205-15															
30		UELFC206	UEL206	19.5 4384	11.3 2540	125 4 29/32	100 3 15/16	70.7 2 25/32	23.0 29/32	10 25/64	8 5/16	40.1 1 37/64	80 3.150	18.3 0.720	48.4 1.906	12 15/32	M10 3/8	1.4 3.1
	1 1/8	UELFC206-18	UEL206-18															
35		UELFC207	UEL207	25.7 5778	15.4 3462	135 5 1/16	110 4 23/64	77.8 3 1/16	26.0 1 1/2	11 7/16	8 5/16	43.3 1 45/64	90 3.543	18.8 0.740	51.1 2.012	14 39/64	M12 7/16	2.0 4.5
	1 1/4	UELFC207-20	UEL207-20															
40		UELFC208	UEL208	29.1 6542	17.8 4002	145 5 23/32	120 4 29/32	84.8 3 11/32	26.0 1 1/2	11 7/16	10 25/64	45.9 1 3/16	100 3.937	21.4 0.843	56.3 2.217	14 35/64	M12 7/16	2.1 4.7
	1 1/2	UELFC208-24	UEL208-24															

<sup>(1)</sup> For bore sizes up to and including 210, a 1/4-28 tapered thread fitting is used. For bore sizes greater than 211, a 1/2 BSPT fitting is used.

*Continued on next page.*

# U SERIES BALL BEARING HOUSED UNITS

## UELFC 200 INDUSTRIAL ECCENTRIC LOCKING COLLAR SERIES • CAST-IRON PILOTED ROUND FLANGED HOUSED UNITS



Continued from previous page.

Shaft Dia. d		Round Flange Cartridge Designation	Bearing Designation	Basic Load Ratings		Dimensions											Bolt Size	Wt.
				Dynamic Cr	Static C0r	L	J	J1	A1	A2	A3	A4	H3	S	B1	N		
mm	in.			kN lbs.	kN lbs.	mm in.	mm in.	mm in.	mm in.	mm in.	mm in.	mm in.	mm in.	mm in.	mm in.	mm in.	mm in.	kg lbs.
	1 5/8	UELFC209-26	UEL209-26															
	1 11/16	UELFC209-27	UEL209-27	<b>34.1</b>	<b>21.3</b>	<b>160</b>	<b>132</b>	<b>93.3</b>	<b>26</b>	<b>10</b>	<b>12</b>	<b>44.9</b>	<b>105</b>	<b>21.4</b>	<b>56.3</b>	<b>16</b>	<b>M14</b>	<b>4.7</b>
	1 3/4	UELFC209-28	UEL209-28	7666	4788	6 3/16	5 13/64	3 43/64	1 1/32	25/64	15/32	1 49/64	4.1339	0.843	2.217	5/8	1/2	6.1
<b>45</b>		UELFC209	UEL209															
	1 7/8	UELFC210-30	UEL210-30															
	1 15/16	UELFC210-31	UEL210-31	<b>35.1</b>	<b>23.3</b>	<b>165</b>	<b>138</b>	<b>97.6</b>	<b>28</b>	<b>10</b>	<b>12</b>	<b>48.1</b>	<b>110</b>	<b>24.6</b>	<b>62.7</b>	<b>16</b>	<b>M14</b>	<b>3.1</b>
<b>50</b>		UELFC210	UEL210	7891	5238	6 1/2	5 7/16	3 27/32	1 3/32	25/64	15/32	1 57/64	4.3307	0.969	2.469	5/8	1/2	6.9
	2	UELFC210-32	UEL210-32															
	2	UELFC211-32	UEL211-32															
	2 1/8	UELFC211-34	UEL211-34	<b>43.4</b>	<b>29.4</b>	<b>185</b>	<b>150</b>	<b>106.1</b>	<b>31</b>	<b>13</b>	<b>12</b>	<b>56.6</b>	<b>125</b>	<b>27.8</b>	<b>71.4</b>	<b>19</b>	<b>M16</b>	<b>4.5</b>
<b>55</b>		UELFC211	UEL211	9757	6609	7 3/32	5 29/32	4 11/64	1 7/32	33/64	15/32	2 15/64	4.9213	1.094	2.811	3/4	5/8	9.9
	2 3/16	UELFC211-35	UEL211-35															
	2 1/4	UELFC212-36	UEL212-36															
<b>60</b>		UELFC212	UEL212	<b>52.4</b>	<b>36.2</b>	<b>195</b>	<b>160</b>	<b>113.1</b>	<b>36</b>	<b>17</b>	<b>12</b>	<b>63.8</b>	<b>135</b>	<b>31.0</b>	<b>77.8</b>	<b>19</b>	<b>M16</b>	<b>5.3</b>
	2 7/16	UELFC212-39	UEL212-39	11780	8138	7 11/16	6 19/64	4 29/64	1 13/32	43/64	15/32	2 33/64	5.3150	1.220	3.063	3/4	5/8	11.8
	2 1/2	UELFC213-40	UEL213-40															
<b>65</b>		UELFC213	UEL213	<b>57.2</b>	<b>40.1</b>	<b>205</b>	<b>170</b>	<b>120.2</b>	<b>36</b>	<b>16</b>	<b>14</b>	<b>67.6</b>	<b>145</b>	<b>34.1</b>	<b>85.7</b>	<b>19</b>	<b>M16</b>	<b>6.2</b>
	2 3/4	UELFC214-44	UEL214-44	12859	9015	8 3/16	6 11/64	4 47/64	1 13/32	5/8	35/64	2 21/32	5.7087	1.343	3.374	3/4	5/8	13.6
<b>70</b>		UELFC214	UEL214	<b>62.2</b>	<b>44.1</b>	<b>215</b>	<b>177</b>	<b>125.1</b>	<b>40</b>	<b>17</b>	<b>14</b>	<b>68.6</b>	<b>150</b>	<b>34.1</b>	<b>85.7</b>	<b>19</b>	<b>M16</b>	<b>7.7</b>
	2 5/8	UELFC215-47	UEL215-47	13983	9914	8 15/32	6 31/32	4 59/64	1 9/16	43/64	35/64	2 45/64	5.9055	1.343	3.374	3/4	5/8	16.9
<b>75</b>		UELFC215	UEL215	<b>67.4</b>	<b>48.3</b>	<b>220</b>	<b>184</b>	<b>130.1</b>	<b>40</b>	<b>18</b>	<b>16</b>	<b>72.8</b>	<b>160</b>	<b>37.3</b>	<b>92.1</b>	<b>19</b>	<b>M16</b>	<b>7.7</b>
	3	UELFC215-48	UEL215-48	15152	10858	8 21/32	7 1/4	5 1/8	1 9/16	45/64	5/8	2 55/64	6.2992	1.469	3.626	3/4	5/8	17.0

### UFLT 200 INDUSTRIAL ECCENTRIC LOCKING COLLAR SERIES CAST-IRON TAKE-UP HOUSED UNITS

- UFLT take-up units are suggested for industrial applications where normal loads are encountered.
- UFLT take-up units are used where shaft adjustment and belt-tightening devices are required, such as in conveyor applications.
- These units provide compact, efficient supports for adjustable shafts and conveyor take-up pulleys.
- Each unit comes assembled and ready for mounting.
- These units use wide inner ring ball bearings with self-aligning spherical outside diameters that compensate for shaft misalignment.
- Timken UFLT series housed units feature the Timken eccentric locking collar (UEL) bearing insert.
- Bearing prelubricated and ready for immediate installation.
- Grease fitting supplied for relubrication<sup>(1)</sup>.
- The bonded seal design is well-suited for industrial applications involving wet or dirty environments.
- Slot spacing and width are interchangeable with competitive units.
- Housing designed for ease of bearing replacement.

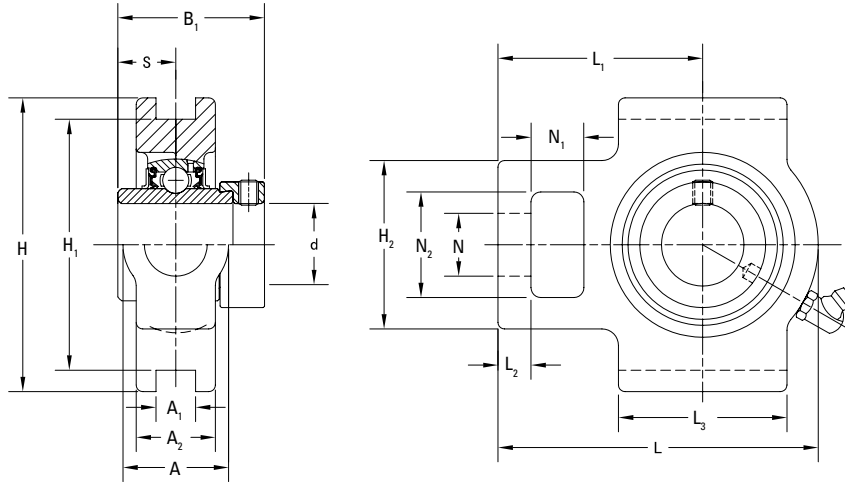
Shaft Dia. d	Take-Up Unit Designation	Bearing Designation	Basic Load Ratings		Dimensions															Wt.	
			Dynamic C <sub>r</sub>	Static C <sub>0r</sub>	H	H <sub>1</sub>	L <sub>2</sub>	L <sub>1</sub>	A <sub>2</sub>	A	N	L	H <sub>2</sub>	S	B <sub>1</sub>	L <sub>3</sub>	N <sub>1</sub>	N <sub>2</sub>	A <sub>1</sub>		
mm	in.		kN lbs	kN lbs	mm in.	mm in.	mm in.	mm in.	mm in.	mm in.	mm in.	mm in.	mm in.	mm in.	mm in.	mm in.	mm in.	mm in.	mm in.	mm in.	kg lbs
12	UFLT201	UEL201	12.8 2878	6.7 1495	89 3 1/2	76 2 53/64	10 13/32	61 2 13/32	21 1 3/16	32 1 1/4	19 3/4	94 3 11/16	51 2	17.1 0.673	43.7 1.720	51 2	16 5/8	32 1 1/4	12 1 1/2	0.8 1.8	
	1/2	UFLT201-8																			UEL201-8
15	UFLT202	UEL202																			
	5/8	UFLT202-10	UEL202-10																		
17	UFLT203	UEL203	14.0 3147	7.9 1765	89 3 1/2	76 2 53/64	10 13/32	62 2 1/16	24 1 3/16	32 1 1/4	19 3/4	97 3 13/64	51 2	17.5 0.689	44.4 1.748	51 2	16 5/8	32 1 1/4	12 1 1/2	0.9 2.0	
	3/4	UFLT204-12																			UEL204-12
20	UFLT204	UEL204	19.5 4384	11.3 2540	102 4 1/2	89 3 1/2	10 13/32	70 2 3/4	28 1 3/32	37 1 13/32	22 7/8	113 4 7/16	56 2 1/2	18.3 0.720	48.4 1.906	57 2 1/4	16 5/8	37 1 13/32	12 1 1/2	1.4 3.1	
	7/8	UFLT205-14																			UEL205-14
	15/16	UFLT205-15																			UEL205-15
25	UFLT205	UEL205	25.7 5778	15.4 3462	102 4 1/2	89 3 1/2	13 1/2	78 3 1/16	30 1 3/16	37 1 13/32	22 7/8	129 5 3/32	64 2 1/2	18.8 0.740	51.1 2.012	64 2 1/2	16 5/8	37 1 13/32	12 1 1/2	1.7 3.8	
	1	UFLT205-16																			UEL205-16
	1 1/8	UFLT206-18																			UEL206-18
30	UFLT206	UEL206	29.1 6542	17.8 4002	114 4 1/2	102 4 1/4	16 5/8	88 3 15/32	33 1 5/16	49 1 15/16	29 1 1/2	144 5 21/32	83 3 3/32	21.4 0.843	56.3 2.217	83 3 3/32	19 3/4	49 1 15/16	16 5/8	2.7 6.0	
	1 1/4	UFLT206-19																			UEL206-19
	1 1/4	UFLT206-20																			UEL206-20
	1 1/4	UFLT207-20	UEL207-20																		
	1 5/16	UFLT207-21	UEL207-21																		
	1 3/8	UFLT207-22	UEL207-22																		
35	UFLT207	UEL207	29.1 6542	17.8 4002	114 4 1/2	102 4 1/4	16 5/8	88 3 15/32	33 1 5/16	49 1 15/16	29 1 1/2	144 5 21/32	83 3 3/32	21.4 0.843	56.3 2.217	83 3 3/32	19 3/4	49 1 15/16	16 5/8	2.7 6.0	
	1 1/2	UFLT207-23																			UEL207-23
	1 1/2	UFLT208-24																			UEL208-24
	1 5/8	UFLT208-25	UEL208-25																		
40	UFLT208	UEL208																			

<sup>(1)</sup> For bore sizes up to and including 210, a 1/4-28 tapered thread fitting is used. For bore sizes greater than 211, a 1/2 BSPT fitting is used.

Continued on next page.

# U SERIES BALL BEARING HOUSED UNITS

## UFLT 200 INDUSTRIAL ECCENTRIC LOCKING COLLAR SERIES • CAST-IRON TAKE-UP HOUSED UNITS



Continued from previous page.

Shaft Dia. d	Take-Up Unit Designation	Bearing Designation	Basic Load Ratings		Dimensions															Wt.			
			Dynamic	Static	H	H <sub>1</sub>	L <sub>2</sub>	L <sub>1</sub>	A <sub>2</sub>	A	N	L	H <sub>2</sub>	S	B <sub>1</sub>	L <sub>3</sub>	N <sub>1</sub>	N <sub>2</sub>	A <sub>1</sub>				
			C <sub>r</sub>	C <sub>0r</sub>	mm	mm	mm	mm	mm	mm	mm	mm	mm	mm	mm	mm	mm	mm	mm		mm	mm	
mm	in.		kN lbs	kN lbs	mm in.	mm in.	mm in.	mm in.	mm in.	mm in.	mm in.	mm in.	mm in.	mm in.	mm in.	mm in.	mm in.	mm in.	mm in.	mm in.	mm in.	mm in.	kg lbs
	1 3/8	UFLT209-26	UEL209-26																				
	1 1/16	UFLT209-27	UEL209-27	<b>34.1</b>	<b>21.3</b>	<b>117</b>	<b>102</b>	<b>16</b>	<b>87</b>	<b>35</b>	<b>49</b>	<b>29</b>	<b>144</b>	<b>83</b>	<b>21.4</b>	<b>56.3</b>	<b>83</b>	<b>19</b>	<b>49</b>	<b>16</b>		<b>2.6</b>	
	1 3/4	UFLT209-28	UEL209-28	7666	4788	4 19/32	4 1/64	5/8	3 7/16	1 3/8	1 15/16	1 1/2	5 27/32	3 3/2	0.843	2.217	3 3/2	3/4	1 15/16	5/8		5.7	
<b>45</b>		UFLT209	UEL209																				
	1 7/8	UFLT210-30	UEL210-30																				
	1 15/16	UFLT210-31	UEL210-31	<b>35.1</b>	<b>23.3</b>	<b>117</b>	<b>102</b>	<b>16</b>	<b>90</b>	<b>37</b>	<b>49</b>	<b>29</b>	<b>149</b>	<b>83</b>	<b>24.6</b>	<b>62.7</b>	<b>86</b>	<b>19</b>	<b>49</b>	<b>16</b>		<b>2.8</b>	
<b>50</b>		UFLT210	UEL210	7891	5238	4 19/32	4 1/64	5/8	3 17/32	1 15/32	1 15/16	1 1/2	5 7/8	3 3/2	0.969	2.469	3 3/8	3/4	1 15/16	5/8		6.2	
	2	UFLT210-32	UEL210-32																				
	2	UFLT211-32	UEL211-32																				
	2 1/8	UFLT211-34	UEL211-34	<b>43.4</b>	<b>29.4</b>	<b>146</b>	<b>130</b>	<b>19</b>	<b>106</b>	<b>38</b>	<b>64</b>	<b>35</b>	<b>171</b>	<b>102</b>	<b>27.8</b>	<b>71.4</b>	<b>95</b>	<b>25</b>	<b>64</b>	<b>22</b>		<b>4.3</b>	
<b>55</b>		UFLT211	UEL211	9757	6609	5 3/4	5 1/8	3/4	4 3/16	1 1/2	2 17/32	1 3/8	6 23/32	4 1/2	1.094	2.811	3 3/4	3 1/2	2 17/32	5 59/64		9.4	
	2 3/16	UFLT211-35	UEL211-35																				
	2 1/4	UFLT212-36	UEL212-36																				
	2 1/2	UFLT212-36	UEL212-36	<b>52.4</b>	<b>36.2</b>	<b>146</b>	<b>130</b>	<b>19</b>	<b>119</b>	<b>42</b>	<b>64</b>	<b>35</b>	<b>194</b>	<b>102</b>	<b>31.0</b>	<b>77.8</b>	<b>102</b>	<b>32</b>	<b>64</b>	<b>22</b>		<b>5.2</b>	
<b>60</b>		UFLT212	UEL212	11780	8138	5 3/4	5 1/8	3/4	4 11/16	1 27/32	2 17/32	1 3/8	7 7/8	4 1/2	1.220	3.063	4 1/2	1 1/4	2 17/32	5 59/64		11.5	
	2 7/16	UFLT212-39	UEL212-39																				
	2 1/2	UFLT213-40	UEL213-40																				
	2 3/4	UFLT213-40	UEL213-40	<b>57.2</b>	<b>40.1</b>	<b>167</b>	<b>151</b>	<b>21</b>	<b>137</b>	<b>44</b>	<b>70</b>	<b>41</b>	<b>224</b>	<b>111</b>	<b>34.1</b>	<b>85.7</b>	<b>121</b>	<b>32</b>	<b>70</b>	<b>26</b>		<b>7.5</b>	
<b>65</b>		UFLT213	UEL213	12859	9015	6 9/16	5 15/16	13/16	5 13/32	1 23/32	2 3/4	1 5/8	8 13/16	4 3/8	1.343	3.374	4 3/4	1 1/4	2 3/4	1 1/2		16.5	
	2 3/4	UFLT214-44	UEL214-44																				
	2 3/4	UFLT214-44	UEL214-44	<b>62.2</b>	<b>44.1</b>	<b>167</b>	<b>151</b>	<b>21</b>	<b>137</b>	<b>46</b>	<b>70</b>	<b>41</b>	<b>224</b>	<b>111</b>	<b>34.1</b>	<b>85.7</b>	<b>121</b>	<b>32</b>	<b>70</b>	<b>26</b>		<b>7.9</b>	
<b>70</b>		UFLT214	UEL214	13983	9914	6 9/16	5 15/16	13/16	5 13/32	1 13/16	2 3/4	1 5/8	8 13/16	4 3/8	1.343	3.374	4 3/4	1 1/4	2 3/4	1 1/2		17.4	
	2 5/16	UFLT215-47	UEL215-47																				
	2 5/8	UFLT215-47	UEL215-47	<b>67.4</b>	<b>48.3</b>	<b>167</b>	<b>151</b>	<b>21</b>	<b>140</b>	<b>48</b>	<b>70</b>	<b>41</b>	<b>232</b>	<b>111</b>	<b>37.3</b>	<b>92.1</b>	<b>121</b>	<b>32</b>	<b>70</b>	<b>26</b>		<b>7.8</b>	
<b>75</b>		UFLT215	UEL215	15152	10858	6 9/16	5 15/16	13/16	5 1/2	1 7/8	2 3/4	1 5/8	9 1/8	4 3/8	1.469	3.626	4 3/4	1 1/4	2 3/4	1 1/2		17.3	
	3	UFLT215-48	UEL215-48																				

### UEL 200 INDUSTRIAL ECCENTRIC LOCKING COLLAR SERIES WIDE INNER RING BALL BEARINGS

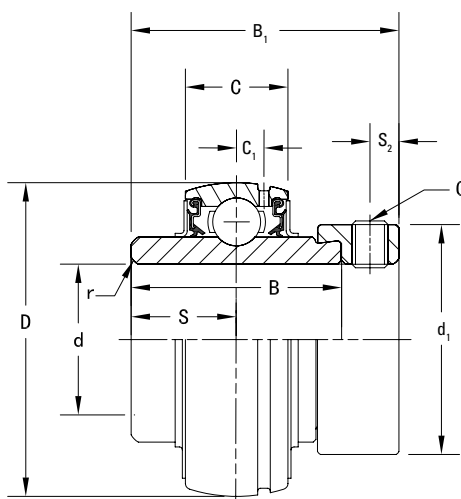
- The UEL wide inner ring ball bearing uses an eccentric locking collar mechanism and is suggested for industrial applications where normal loads are encountered.
- The eccentric locking feature is ideal for non-reversing load applications.
- Bearing prelubricated and ready for immediate installation.
- The wide inner ring provides effective shaft support for a broad range of industrial applications.
- The positive contact of the land-riding bonded nitrile seal helps protect against harmful contaminants and retains lubricant under severe operating conditions.
- An external steel flinger provides additional protection from contamination.
- The UEL series features superfinished raceways, grade-10 balls for smooth running and low noise operation.
- UEL series wide inner ring ball bearings have spherical outside diameters for use in housings with corresponding spherical inside surfaces to compensate for shaft misalignment.

Shaft Dia. d		Bearing Designation	Basic Load Ratings		Dimensions								Min. Fillet Radius r (min.)	Set Screw Size G	Wt.																																																							
			Dia. d C <sub>r</sub>	Static C <sub>0r</sub>	D	C	B <sub>1</sub>	S <sub>2</sub>	C <sub>1</sub>	S	B	d <sub>1</sub>																																																										
mm	in.		kN lbs	kN lbs	mm in.	mm in.	mm in.	mm in.	mm in.	mm in.	mm in.	mm in.	mm in.		kg lbs																																																							
12		UEL201	12.8 2878	6.7 1495	47 1.850	16 0.630	43.7 1.720	4.8 0.189	4.0 0.157	17.1 0.673	34.2 1.346	33.3 1.311	1.0 0.039	M6x0.75	0.3 0.6																																																							
	½	UEL201-8												¼-28UNF	0.3 0.6																																																							
15		UEL202												12.8 2878	6.7 1495	47 1.850	16 0.630	43.7 1.720	4.8 0.189	4.0 0.157	17.1 0.673	34.2 1.346	33.3 1.311	1.0 0.039	M6x0.75	0.3 0.6																																												
	⅝	UEL202-10																							¼-28UNF	0.3 0.6																																												
17		UEL203																							12.8 2878	6.7 1495	47 1.850	16 0.630	43.7 1.720	4.8 0.189	4.0 0.157	17.1 0.673	34.2 1.346	33.3 1.311	1.0 0.039	M6x0.75	0.3 0.6																																	
	¾	UEL204-12																																		¼-28UNF	0.2 0.5																																	
20		UEL204																																		12.8 2878	6.7 1495	47 1.850	16 0.630	43.7 1.720	4.8 0.189	4.0 0.157	17.1 0.673	34.2 1.346	33.3 1.311	1.0 0.039	M6x0.75	0.2 0.5																						
	⅞	UEL205-14																																													¼-28UNF	0.3 0.6																						
25		UEL205-15																																													14.0 3147	7.9 1765	52 2.047	17 0.669	44.4 1.748	4.8 0.189	4.5 0.177	17.5 0.689	34.9 1.374	38.1 1.500	1.0 0.039	¼-28UNF	0.3 0.6											
	1	UEL205-16																																																								¼-28UNF	0.3 0.6											
30		UEL206-18																																																								19.5 4384	11.3 2540	62 2.441	19 0.748	48.4 1.906	6 0.236	5.0 0.197	18.3 0.720	36.5 1.437	44.5 1.752	1.0 0.039	⅝-24UNF	0.4 0.9
		UEL206																																																																			M8x1	0.4 0.9
	1 ⅜	UEL206-19	⅝-24UNF	0.4 0.9																																																																		
35		UEL206-20	19.5 4384	11.3 2540	62 2.441	19 0.748	48.4 1.906	6 0.236	5.0 0.197	18.3 0.720	36.5 1.437	44.5 1.752	1.0 0.039																																																								⅝-24UNF	0.4 0.8
		UEL207-20												⅝-24UNF	0.7 1.5																																																							
		UEL207-21												⅝-24UNF	0.7 1.4																																																							
		UEL207-22												⅝-24UNF	0.6 1.3																																																							
40		UEL207												25.7 5778	15.4 3462	72 2.835	20 0.787	51.1 2.012	6.8 0.268	5.7 0.224	18.8 0.740	37.6 1.480	55.6 2.189	1.1 0.043	M8x1	0.6 1.3																																												
		UEL207-23																							⅝-24UNF	0.6 1.3																																												
		UEL208-24																							⅝-24UNF	0.8 1.8																																												
40		UEL208-25																							29.1 6542	17.8 4002	80 3.150	21 0.827	56.3 2.217	6.8 0.268	6.0 0.236	21.4 0.843	42.8 1.685	60.3 2.374	1.1 0.043	⅝-24UNF	0.8 1.7																																	
		UEL208																																		M8x1	0.8 1.7																																	

Continued on next page.

# U SERIES BALL BEARING HOUSED UNITS

## UEL 200 INDUSTRIAL ECCENTRIC LOCKING COLLAR SERIES • WIDE INNER RING BALL BEARINGS



Continued from previous page.

Shaft Dia. d	Bearing Designation	Basic Load Ratings		Dimensions								Min. Fillet Radius r (min.)	Set Screw Size G	Wt.
		Dia. d	Static	D	C	B <sub>1</sub>	S <sub>2</sub>	C <sub>1</sub>	S	B	d <sub>1</sub>			
mm	in.	kN lbs	kN lbs	mm in.	mm in.	mm in.	mm in.	mm in.	mm in.	mm in.	mm in.	mm in.	mm in.	kg lbs
1 5/8	UEL209-26	34.1 7666	21.3 4788	85 3.346	22 0.866	56.3 2.217	6.8 0.268	6.0 0.236	21.4 0.843	42.8 1.685	63.5 2.500	1.1 0.043	5/16-24UNF	1.0 2.1
1 11/16	UEL209-27												5/16-24UNF	0.9 2.0
1 3/4	UEL209-28												5/16-24UNF	0.9 1.9
45	UEL209												M8x1	0.9 1.9
1 7/8	UEL210-30	35.1 7891	23.3 5238	90 3.543	24 0.945	62.7 2.469	6.8 0.268	6.0 0.236	24.6 0.969	49.2 1.937	69.9 2.752	1.1 0.043	5/16-24UNF	1.1 2.4
1 15/16	UEL210-31												5/16-24UNF	1.0 2.3
50	UEL210												M8x1	1.0 2.2
2	UEL210-32												5/16-24UNF	1.0 2.2
2	UEL211-32	43.4 9757	29.4 6609	100 3.937	25 0.984	71.4 2.811	8.0 0.315	7.0 0.276	27.8 1.094	55.5 2.185	76.2 3.000	1.5 0.059	3/8-24UNF	1.6 3.5
2 3/8	UEL211-34												3/8-24UNF	1.5 3.3
55	UEL211												M10x1.25	1.4 3.1
2 3/16	UEL211-35												3/8-24UNF	1.4 3.0
2 1/4	UEL212-36	52.4 11780	36.2 8138	110 4.431	27 1.063	77.8 3.063	8.0 0.315	7.5 0.295	31.0 1.220	61.9 2.437	84.2 3.315	1.5 0.059	3/8-24UNF	2.0 4.5
60	UEL212												M10x1.25	1.9 4.1
2 7/16	UEL212-39												3/8-24UNF	1.9 4.3
2 1/2	UEL213-40	57.2 12859	40.1 9015	120 4.724	28 1.102	85.7 3.374	8.5 0.335	7.5 0.295	34.1 1.343	68.2 2.685	92 3.622	1.5 0.059	3/8-24UNF	2.5 5.5
65	UEL213												M10x1.25	2.5 5.4
2 3/4	UEL214-44	62.2 13983	44.1 9914	125 4.921	30 1.181	85.7 3.374	8.5 0.335	9.0 0.354	34.1 1.343	68.2 2.685	97 3.819	1.5 0.059	3/8-24UNF	2.9 6.5
70	UEL214												M10x1.25	2.9 6.4
2 15/16	UEL215-47	67.4 15152	48.3 10858	130 5.118	32 1.260	92.1 3.626	8.5 0.335	9.0 0.354	37.3 1.469	74.6 2.937	102 4.016	1.5 0.059	3/8-24UNF	2.7 6.0
75	UEL215												M10x1.25	2.7 6.0
3	UEL215-48												3/8-24UNF	2.7 6.0





***UK 200 INDUSTRIAL TAPERED  
BORE FOR USE WITH ADAPTER  
SLEEVE LOCKING SERIES***

The following topics are covered within this section:

UKP 200 Pillow Block Housed Units . . . . .	46
UKF 200 Four-Bolt Flanged Housed Units . . . . .	48
UKFL 200 Two-Bolt Flanged Housed Units. . . . .	50
UKFC 200 Piloted Round Flanged Housed Units . . . . .	52
UKT 200 Take-Up Housed Units . . . . .	54
UK 200 Wide Inner Ring Ball Bearings. . . . .	56



### UKP 200 INDUSTRIAL TAPERED BORE FOR USE WITH ADAPTER SLEEVE LOCKING SERIES CAST-IRON PILLOW BLOCK HOUSED UNITS

- UKP pillow blocks are suggested for industrial applications where normal loads are encountered.
- Compact, one-piece housing with two-bolt mounting can be installed in any position and makes bearing replacement easy.
- These units use wide inner ring ball bearings with self-aligning spherical outside diameters that compensate for shaft misalignment.
- Timken UKP series housed units feature the Timken tapered bore (UK) bearing insert for use with adapter sleeve.
- Bearing prelubricated and ready for immediate installation.
- Grease fitting supplied for relubrication<sup>(1)</sup>.
- The bonded seal design is well-suited for applications involving wet or dirty environments.
- Bolt-hole spacing and base-to-center height dimensions are interchangeable with competitive units.
- Housing designed for ease of bearing replacement.

Shaft Dia. d		Pillow Block Designation	Bearing Designation	Adapter <sup>(2)</sup> Designation	Basic Load Ratings		Dimensions										Bolt Size	Wt.			
					Dynamic	Static	H	L	L <sub>1</sub>	A	H <sub>1</sub>	J	H <sub>2</sub>	Y	B <sub>1</sub>	N			N <sub>1</sub>		
					C <sub>r</sub>	C <sub>0r</sub>	mm	mm	mm	mm	mm	mm	mm	mm	mm	mm			mm	mm	mm
<b>mm</b>	<b>in.</b>				<b>kN</b>	<b>kN</b>	<b>mm</b>	<b>mm</b>	<b>mm</b>	<b>mm</b>	<b>mm</b>	<b>mm</b>	<b>mm</b>	<b>mm</b>	<b>mm</b>	<b>mm</b>	<b>mm</b>	<b>mm</b>	<b>mm</b>	<b>kg</b>	<b>lbs</b>
	¾	UKP205	UK205	HE2305	3147	1765	1 7/16	5 ½	1 ½	1 ½	5/8	4 1/8	2 ¾	0.781	1.378	½	2 3/32	3/8		2.0	
<b>20</b>				H2305	<b>14</b>	<b>7.85</b>	<b>36.5</b>	<b>140</b>	<b>38</b>	<b>38</b>	<b>16</b>	<b>105</b>	<b>70</b>	<b>20.0</b>	<b>35</b>	<b>13</b>	<b>18</b>	<b>M10</b>	<b>0.9</b>		
		UKP206	UK206	H2306	<b>19.5</b>	<b>11.3</b>	<b>42.9</b>	<b>165</b>	<b>48</b>	<b>48</b>	<b>17</b>	<b>121</b>	<b>84</b>	<b>21.5</b>	<b>38</b>	<b>17</b>	<b>21</b>	<b>M14</b>	<b>1.4</b>		
<b>25</b>	1			HE2306	4384	2540	1 11/16	6 ½	1 7/8	1 7/8	2 1/2	4 ¾	3 5/16	0.844	1.496	2 1/2	1 3/16	½		3.0	
	1 1/8	UKP207	UK207	HS2307	5778	3462	1 7/8	6 9/16	1 27/32	1 7/8	2 3/32	5	3 ¾	0.938	1.693	2 1/2	1 3/16	½		3.9	
<b>30</b>				H2307	<b>25.7</b>	<b>15.4</b>	<b>47.6</b>	<b>167</b>	<b>47</b>	<b>48</b>	<b>18</b>	<b>127</b>	<b>95</b>	<b>24.0</b>	<b>43</b>	<b>17</b>	<b>21</b>	<b>M14</b>	<b>1.8</b>		
	1 ¼	UKP208	UK208	HE2308	6542	4002	1 15/16	7 ¼	2 3/32	2 1/8	2 3/32	5 13/32	3 27/32	1.063	1.811	2 1/2	1 3/16	½		4.5	
<b>35</b>				H2308	<b>29.1</b>	<b>17.8</b>	<b>49.2</b>	<b>184</b>	<b>53</b>	<b>54</b>	<b>18</b>	<b>137</b>	<b>98</b>	<b>27.0</b>	<b>46</b>	<b>17</b>	<b>21</b>	<b>M14</b>	<b>2.0</b>		
	1 ½	UKP209	UK209	HE2309	7666	4788	2 1/8	7 15/32	2 5/32	2 1/8	2 5/32	5 ¾	4 3/16	1.156	1.969	2 1/2	1 3/16	½		5.3	
<b>40</b>				H2309	<b>34.1</b>	<b>21.3</b>	<b>54.0</b>	<b>190</b>	<b>55</b>	<b>54</b>	<b>20</b>	<b>146</b>	<b>106</b>	<b>29.0</b>	<b>50</b>	<b>17</b>	<b>21</b>	<b>M14</b>	<b>2.4</b>		
	1 ¾	UKP210	UK210	HE2310	7891	5238	2 ¼	8 1/8	2 3/8	2 3/8	1 3/16	6 ¼	4 7/16	1.188	2.165	2 5/32	7/8	5/8		6.9	
<b>45</b>				H2310	<b>35.1</b>	<b>23.3</b>	<b>57.2</b>	<b>206</b>	<b>60</b>	<b>60</b>	<b>21</b>	<b>159</b>	<b>113</b>	<b>30.0</b>	<b>55</b>	<b>20</b>	<b>22</b>	<b>M16</b>	<b>3.1</b>		
		UKP211	UK211	H2311	<b>43.4</b>	<b>29.4</b>	<b>63.5</b>	<b>219</b>	<b>65</b>	<b>60</b>	<b>23</b>	<b>171</b>	<b>125</b>	<b>32.0</b>	<b>59</b>	<b>20</b>	<b>22</b>	<b>M16</b>	<b>3.8</b>		
<b>50</b>	2			HE2311	9757	6609	2 ½	8 5/8	2 9/16	2 3/8	2 9/32	6 23/32	4 29/32	1.250	2.323	2 5/32	7/8	5/8		8.3	

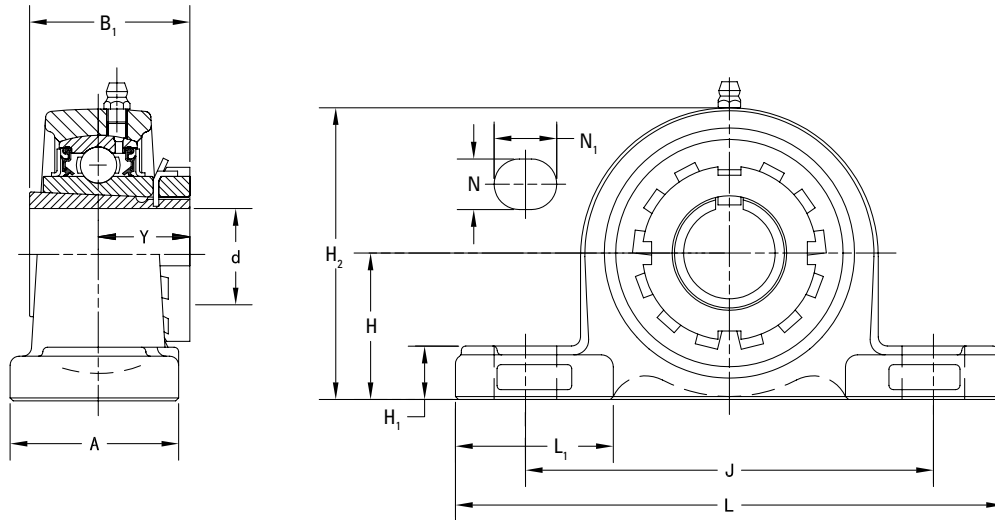
<sup>(1)</sup> For bore sizes up to and including 210, a ¼-28 tapered thread fitting is used. For bore sizes greater than 211, a ½ BSPT fitting is used.

<sup>(2)</sup> Note: Adapter sleeve of the desired size should be ordered separately.

Continued on next page.

# U SERIES BALL BEARING HOUSED UNITS

UKP 200 INDUSTRIAL TAPERED BORE FOR USE WITH ADAPTER SLEEVE LOCKING SERIES • CAST-IRON PILLOW BLOCK HOUSED UNITS



Continued from previous page.

Shaft Dia. d		Pillow Block Designation	Bearing Designation	Adapter <sup>(2)</sup> Designation	Basic Load Ratings		Dimensions										Bolt Size	Wt.							
					Dynamic	Static	H	L	L <sub>1</sub>	A	H <sub>1</sub>	J	H <sub>2</sub>	Y	B <sub>1</sub>	N			N <sub>1</sub>						
					C <sub>r</sub>	C <sub>0r</sub>	mm	mm	mm	mm	mm	mm	mm	mm	mm	mm			mm	mm	mm	mm			
<b>mm</b>	<b>in.</b>				<b>kN</b>	<b>kN</b>	<b>mm</b>	<b>mm</b>	<b>mm</b>	<b>mm</b>	<b>mm</b>	<b>mm</b>	<b>mm</b>	<b>mm</b>	<b>mm</b>	<b>mm</b>	<b>mm</b>	<b>mm</b>	<b>mm</b>	<b>mm</b>	<b>mm</b>	<b>mm</b>	<b>mm</b>	<b>kg</b>	<b>lbs</b>
	2 1/8	UKP212	UK212	HS2312	11780	8138	2 3/4	9 1/2	2 7/8	2 3/4	3 1/2	7 1/4	5 7/16	1.438	2.441	2 5/32	3 1/2	5/8						10.6	
<b>55</b>				H2312	<b>52.4</b>	<b>36.2</b>	<b>69.8</b>	<b>241</b>	<b>73</b>	<b>70</b>	<b>25</b>	<b>184</b>	<b>138</b>	<b>36.5</b>	<b>62</b>	<b>20</b>	<b>25</b>	<b>M16</b>	<b>4.8</b>						
	2 1/4	UKP213	UK213	HE2313	11780	8138	3	10 7/16	3 1/16	2 3/4	3 1/2	7 1/4	5 7/16	1.438	2.441	2 5/32	3 1/2	5/8						10.6	
<b>60</b>				H2313	<b>57.2</b>	<b>40.1</b>	<b>76.2</b>	<b>265</b>	<b>78</b>	<b>70</b>	<b>27</b>	<b>203</b>	<b>150</b>	<b>37.5</b>	<b>65</b>	<b>25</b>	<b>30</b>	<b>M20</b>	<b>5.6</b>						
	2 1/2	UKP215	UK215	HE2315	15152	10858	3 1/4	10 13/16	3 1/16	2 29/32	1 1/2	8 17/32	6 3/8	1.594	2.874	3 1/32	1 3/16	3/4						17.1	
<b>65</b>				H2315	<b>67.4</b>	<b>48.3</b>	<b>82.6</b>	<b>275</b>	<b>78</b>	<b>74</b>	<b>28</b>	<b>217</b>	<b>162</b>	<b>40.5</b>	<b>73</b>	<b>25</b>	<b>30</b>	<b>M20</b>	<b>7.8</b>						
	2 3/4	UKP216	UK216	HE2316	16344	11915	3 1/2	11 1/2	3 9/32	3 1/16	1 3/16	9 1/8	6 27/32	1.750	3.071	3 1/32	1 3/8	3/4						20.5	
<b>70</b>				H2316	<b>72.7</b>	<b>53.0</b>	<b>88.9</b>	<b>292</b>	<b>83</b>	<b>78</b>	<b>30</b>	<b>232</b>	<b>174</b>	<b>44.5</b>	<b>78</b>	<b>25</b>	<b>35</b>	<b>M20</b>	<b>9.3</b>						
		UKP217	UK217	H2317	<b>84</b>	<b>61.9</b>	<b>95.2</b>	<b>310</b>	<b>87</b>	<b>83</b>	<b>32</b>	<b>247</b>	<b>185</b>	<b>46.5</b>	<b>82</b>	<b>25</b>	<b>35</b>	<b>M20</b>	<b>11.2</b>						
<b>75</b>				HE2317	18884	13916	3 3/4	12 7/32	3 7/16	3 3/32	1 1/4	9 23/32	7 9/32	1.828	3.228	3 1/32	1 3/8	3/4							24.7
<b>80</b>		UKP218	UK218	H2318	<b>96.1</b>	<b>71.5</b>	<b>101.6</b>	<b>327</b>	<b>94</b>	<b>88</b>	<b>33</b>	<b>262</b>	<b>198</b>	<b>49.5</b>	<b>86</b>	<b>27</b>	<b>40</b>	<b>M22</b>	<b>13.5</b>						

<sup>(2)</sup> Note: Adapter sleeve of the desired size should be ordered separately.

**UKF 200 INDUSTRIAL TAPERED BORE  
FOR USE WITH ADAPTER SLEEVE LOCKING SERIES  
CAST-IRON FOUR-BOLT FLANGED HOUSED UNITS**

- UKF four-bolt flanged units are suggested for industrial applications where normal loads are encountered.
- Each unit comes assembled and ready for mounting, using bolts through the flange.
- These units use wide inner ring ball bearings with self-aligning spherical outside diameters that compensate for shaft misalignment.
- Timken UKF series housed units feature the Timken tapered bore (UK) bearing insert for use with adapter sleeve.
- Bearing prelubricated and ready for immediate installation.
- Grease fitting supplied for relubrication<sup>(1)</sup>.
- The bonded seal design is well-suited for applications involving wet or dirty environments.
- Bolt-hole spacing dimensions and shaft center location are interchangeable with competitive units.
- Housing designed for ease of bearing replacement.

Shaft Dia. d		Four-Bolt Flange Designation	Bearing Designation	Adapter <sup>(2)</sup> Designation	Basic Load Ratings		Dimensions									Bolt Size	Wt.	
					Dynamic	Static	L	J	A <sub>1</sub>	A	A <sub>0</sub>	Y	B <sub>1</sub>	A <sub>2</sub>	N			
					C <sub>r</sub>	C <sub>0r</sub>	mm	mm	mm	mm	mm	mm	mm	mm	mm			mm
<b>mm</b>	<b>in.</b>				<b>kN</b>	<b>kN</b>	<b>mm</b>	<b>mm</b>	<b>mm</b>	<b>mm</b>	<b>mm</b>	<b>mm</b>	<b>mm</b>	<b>mm</b>	<b>mm</b>	<b>mm</b>	<b>kg</b>	<b>lbs</b>
	¾	UKF205	UK205	HE2305	3147	1765	3 ¾	2 ¾	½	1 1/16	1 13/32	0.781	1.378	5/8	15/32	¾	1.9	
<b>20</b>				H2305	<b>14.0</b>	<b>7.9</b>	<b>95</b>	<b>70</b>	<b>13</b>	<b>27</b>	<b>36.0</b>	<b>20.0</b>	<b>35</b>	<b>16</b>	<b>12</b>	<b>M10</b>	<b>0.9</b>	
<b>25</b>		UKF206	UK206	H2306	19.5	11.3	108	83	13	31	39.5	21.5	38	18	12	M10	1.3	
	1			HE2306	4384	2540	4 ¼	3 17/64	½	1 7/32	1 1/16	0.844	1.496	45/64	15/32	¾	2.9	
	1 1/8	UKF207	UK207	HS2307	5778	3462	4 19/32	3 5/8	19/32	1 11/32	1 11/16	0.938	1.693	¾	35/64	7/16	3.5	
<b>30</b>				H2307	<b>25.7</b>	<b>15.4</b>	<b>117</b>	<b>92</b>	<b>15</b>	<b>34</b>	<b>43.0</b>	<b>24.0</b>	<b>43</b>	<b>19</b>	<b>14</b>	<b>M12</b>	<b>1.6</b>	
	1 ¼	UKF208	UK208	HE2308	6542	4002	5 ½	4 1/4	19/32	1 13/32	1 7/8	1.063	1.811	53/64	5/8	½	4.2	
<b>35</b>				H2308	<b>29.1</b>	<b>17.8</b>	<b>130</b>	<b>102</b>	<b>15</b>	<b>36</b>	<b>48.0</b>	<b>27.0</b>	<b>46</b>	<b>21</b>	<b>16</b>	<b>M14</b>	<b>1.9</b>	
	1 ½	UKF209	UK209	HE2309	7666	4788	5 13/32	4 9/64	5/8	1 ½	2	1.156	1.969	55/64	5/8	½	5.1	
<b>40</b>				H2309	<b>34.1</b>	<b>21.3</b>	<b>137</b>	<b>105</b>	<b>16</b>	<b>38</b>	<b>51.0</b>	<b>29.0</b>	<b>50</b>	<b>22</b>	<b>16</b>	<b>M14</b>	<b>2.3</b>	
	1 ¾	UKF210	UK210	HE2310	7891	5238	5 5/8	4 3/8	5/8	1 1/16	2 1/16	1.188	2.165	55/64	5/8	½	5.7	
<b>45</b>				H2310	<b>35.1</b>	<b>23.3</b>	<b>143</b>	<b>111</b>	<b>16</b>	<b>40</b>	<b>52.0</b>	<b>30.0</b>	<b>55</b>	<b>22</b>	<b>16</b>	<b>M14</b>	<b>2.6</b>	
<b>50</b>		UKF211	UK211	H2311	43.4	29.4	162	130	18	43	57.5	32.0	59	25	19	M16	3.5	
	2			HE2311	9757	6609	6 3/8	5 ½	23/32	1 11/16	2 ¼	1.250	2.323	63/64	¾	5/8	7.7	

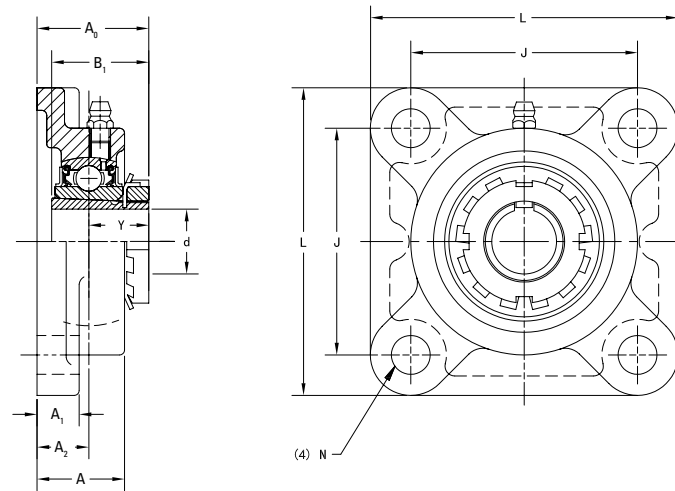
<sup>(1)</sup> For bore sizes up to and including 210, a ¼-28 tapered thread fitting is used. For bore sizes greater than 211, a ½ BSPT fitting is used.

<sup>(2)</sup> Note: Adapter sleeve of the desired size should be ordered separately.

*Continued on next page.*

# U SERIES BALL BEARING HOUSED UNITS

UKF 200 INDUSTRIAL TAPERED BORE FOR USE WITH ADAPTER SLEEVE LOCKING SERIES • CAST-IRON FOUR-BOLT FLANGED HOUSED UNITS



Continued from previous page.

Shaft Dia. d	Four-Bolt Flange Designation	Bearing Designation	Adapter <sup>(2)</sup> Designation	Basic Load Ratings		Dimensions										Bolt Size	Wt.	
				Dynamic C <sub>r</sub>	Static C <sub>0r</sub>	L	J	A <sub>1</sub>	A	A <sub>0</sub>	Y	B <sub>1</sub>	A <sub>2</sub>	N				
mm	in.			kN	kN	mm	mm	mm	mm	mm	mm	mm	mm	mm	mm	mm	mm	kg
				lbs	lbs	in.	in.	in.	in.	in.	in.	in.	in.	in.	in.	in.	in.	lbs
55	2 1/8	UKF212	UK212	HS2312	11780	8138	6 7/8	5 3/8	23/32	1 7/8	2 19/32	1.438	2.441	1 5/64	3/4	5/8		9.0
				H2312	<b>52.4</b>	<b>36.2</b>	<b>175</b>	<b>143</b>	<b>18</b>	<b>48</b>	<b>65.5</b>	<b>36.5</b>	<b>62</b>	<b>29</b>	<b>19</b>	<b>M16</b>	<b>4.1</b>	
60	2 1/4	UKF213	UK213	HE2313	12859	9015	7 3/8	5 59/64	7/8	1 31/32	2 21/32	1.469	2.559	1 3/16	3/4	5/8		11.2
				H2313	<b>57.2</b>	<b>40.1</b>	<b>187</b>	<b>149</b>	<b>22</b>	<b>50</b>	<b>67.5</b>	<b>37.5</b>	<b>65</b>	<b>30</b>	<b>19</b>	<b>M16</b>	<b>5.1</b>	
65	2 1/2	UKF215	UK215	HE2315	15152	10858	7 7/8	6 17/64	7/8	2 7/32	2 15/16	1.594	2.874	1 11/32	3/4	5/8		14.3
				H2315	<b>67.4</b>	<b>48.3</b>	<b>200</b>	<b>159</b>	<b>22</b>	<b>56</b>	<b>74.5</b>	<b>40.5</b>	<b>73</b>	<b>34</b>	<b>19</b>	<b>M16</b>	<b>6.5</b>	
70	2 3/4	UKF216	UK216	HE2316	15152	10858	7 7/8	6 17/64	7/8	2 7/32	2 15/16	1.594	2.874	1 11/32	3/4	5/8		14.3
				H2316	<b>72.7</b>	<b>53.0</b>	<b>208</b>	<b>165</b>	<b>22</b>	<b>58</b>	<b>78.5</b>	<b>44.5</b>	<b>78</b>	<b>34</b>	<b>23</b>	<b>M20</b>	<b>7.6</b>	
75		UKF217	UK217	H2317	<b>84.0</b>	<b>61.9</b>	<b>220</b>	<b>175</b>	<b>24</b>	<b>63</b>	<b>82.5</b>	<b>46.5</b>	<b>82</b>	<b>36</b>	<b>23</b>	<b>M20</b>	<b>9.0</b>	
	3			HE2317	18884	13916	8 23/32	6 57/64	15/16	2 15/32	3 1/4	1.828	3.228	1 27/64	29/32	3/4		19.8
80		UKF218	UK218	H2318	<b>96.1</b>	<b>71.5</b>	<b>235</b>	<b>187</b>	<b>25</b>	<b>68</b>	<b>89.5</b>	<b>49.5</b>	<b>86</b>	<b>40</b>	<b>23</b>	<b>M20</b>	<b>11.4</b>	
						21604	16074	9 1/4	7 23/64	31/32	2 11/16	3 17/32	1.953	3.386	1 37/64	29/32	3/4	

<sup>(2)</sup> Note: Adapter sleeve of the desired size should be ordered separately.

### UKFL 200 INDUSTRIAL TAPERED BORE FOR USE WITH ADAPTER SLEEVE LOCKING SERIES CAST-IRON TWO-BOLT FLANGED HOUSED UNITS

- UKFL two-bolt flanged units are suggested for industrial applications where normal loads are encountered.
- This series is primarily designed for applications where the mounting area is restricted.
- Each unit comes assembled and ready for mounting, using bolts through the flange.
- These units use wide inner ring ball bearings with self-aligning spherical outside diameters that compensate for shaft misalignment.
- Timken UKFL series housed units feature the Timken tapered bore (UK) bearing insert for use with adapter sleeve.
- Bearing prelubricated and ready for immediate installation.
- Grease fitting supplied for relubrication<sup>(1)</sup>.
- The bonded seal design is well-suited for applications involving wet or dirty environments.
- Bolt-hole spacing dimensions and shaft center location are interchangeable with competitive units.
- Housing designed for ease of bearing replacement.

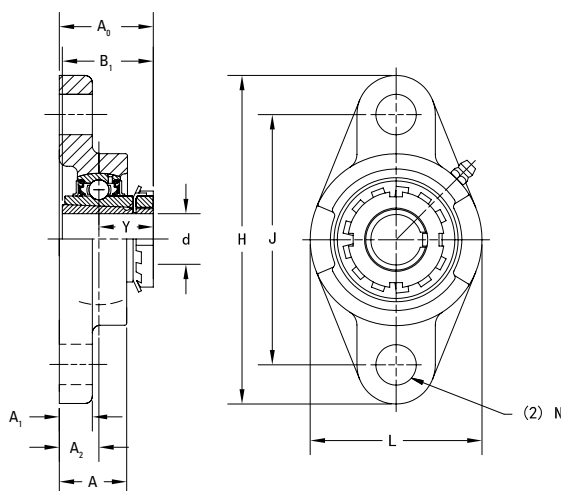
Shaft Dia. d		Two-Bolt Flange Designation	Bearing Designation	Adapter <sup>(2)</sup> Designation	Basic Load Ratings		Dimensions										Bolt Size	Wt.
					Dynamic	Static	H	J	A <sub>1</sub>	A	A <sub>0</sub>	L	A <sub>2</sub>	Y	B <sub>1</sub>	N		
					C <sub>r</sub>	C <sub>0r</sub>	mm	mm	mm	mm	mm	mm	mm	mm	mm	mm		
<b>mm</b>	<b>in.</b>				<b>kN</b>	<b>kN</b>	<b>mm</b>	<b>mm</b>	<b>mm</b>	<b>mm</b>	<b>mm</b>	<b>mm</b>	<b>mm</b>	<b>mm</b>	<b>mm</b>	<b>mm</b>	<b>mm</b>	<b>kg</b>
	¾	UKFL205	UK205	HE2305	3147	1765	5 ½	3 57/64	½	1 1/16	1 13/32	2 11/16	5/8	0.781	1.378	5/8	½	1.5
<b>20</b>				H2305	<b>14.0</b>	<b>7.9</b>	<b>130</b>	<b>99</b>	<b>13</b>	<b>27</b>	<b>36.0</b>	<b>68</b>	<b>16</b>	<b>20.0</b>	<b>35</b>	<b>16</b>	<b>M14</b>	<b>0.7</b>
<b>25</b>		UKFL206	UK206	H2306	<b>19.5</b>	<b>11.3</b>	<b>148</b>	<b>117</b>	<b>13</b>	<b>31</b>	<b>39.5</b>	<b>80</b>	<b>18</b>	<b>21.5</b>	<b>38</b>	<b>16</b>	<b>M14</b>	<b>1.0</b>
	1			HE2306	4384	2540	5 13/16	4 39/64	½	1 7/32	1 9/16	3 3/32	45/64	0.844	1.496	5/8	½	2.1
	1 1/8	UKFL207	UK207	HS2307	5778	3462	5 11/32	5 1/8	9/16	1 11/32	1 11/16	3 17/32	¾	0.938	1.693	5/8	½	2.9
<b>30</b>				H2307	<b>25.7</b>	<b>15.4</b>	<b>161</b>	<b>130</b>	<b>14</b>	<b>34</b>	<b>43.0</b>	<b>90</b>	<b>19</b>	<b>24.0</b>	<b>43</b>	<b>16</b>	<b>M14</b>	<b>1.3</b>
	1 1/4	UKFL208	UK208	HE2308	6542	4002	6 7/8	5 43/64	9/16	1 13/32	1 7/8	3 15/16	53/64	1.063	1.811	5/8	½	3.5
<b>35</b>				H2308	<b>29.1</b>	<b>17.8</b>	<b>175</b>	<b>144</b>	<b>14</b>	<b>36</b>	<b>48.0</b>	<b>100</b>	<b>21</b>	<b>27.0</b>	<b>46</b>	<b>16</b>	<b>M14</b>	<b>1.6</b>
	1 1/2	UKFL209	UK209	HE2309	7666	4788	7 13/32	5 53/64	19/32	1 1/2	2	4 1/4	55/64	1.156	1.969	¾	5/8	4.4
<b>40</b>				H2309	<b>34.1</b>	<b>21.3</b>	<b>188</b>	<b>148</b>	<b>15</b>	<b>38</b>	<b>51.0</b>	<b>108</b>	<b>22</b>	<b>29.0</b>	<b>50</b>	<b>19</b>	<b>M16</b>	<b>2.0</b>
	1 3/4	UKFL210	UK210	HE2310	7891	5238	7 3/4	6 3/16	19/32	1 9/16	2 1/16	4 17/32	55/64	1.188	2.165	¾	5/8	5.1
<b>45</b>				H2310	<b>35.1</b>	<b>23.3</b>	<b>197</b>	<b>157</b>	<b>15</b>	<b>40</b>	<b>52.0</b>	<b>115</b>	<b>22</b>	<b>30.0</b>	<b>55</b>	<b>19</b>	<b>M16</b>	<b>2.3</b>
<b>50</b>		UKFL211	UK211	H2311	<b>43.4</b>	<b>29.4</b>	<b>224</b>	<b>184</b>	<b>18</b>	<b>43</b>	<b>57.0</b>	<b>130</b>	<b>25</b>	<b>32.0</b>	<b>59</b>	<b>19</b>	<b>M16</b>	<b>3.3</b>
	2			HE2311	9757	6609	8 13/16	7 1/4	23/32	1 11/16	2 1/4	5 1/8	63/64	1.250	2.323	¾	5/8	7.3

<sup>(1)</sup> For bore sizes up to and including 210, a ¼-28 tapered thread fitting is used. For bore sizes greater than 211, a ½ BSPT fitting is used.  
<sup>(2)</sup> Note: Adapter sleeve of the desired size should be ordered separately.

Continued on next page.

# U SERIES BALL BEARING HOUSED UNITS

## UKFL 200 INDUSTRIAL TAPERED BORE FOR USE WITH ADAPTER SLEEVE LOCKING SERIES • CAST-IRON TWO-BOLT FLANGED HOUSED UNITS



Continued from previous page.

Shaft Dia. d	Two-Bolt Flange Designation	Bearing Designation	Adapter <sup>(2)</sup> Designation	Basic Load Ratings		Dimensions										Bolt Size	Wt.	
				Dynamic C <sub>r</sub>	Static C <sub>0r</sub>	H	J	A <sub>1</sub>	A	A <sub>0</sub>	L	A <sub>2</sub>	Y	B <sub>1</sub>	N			
mm	in.			kN lbs	kN lbs	mm in.	mm in.	mm in.	mm in.	mm in.	mm in.	mm in.	mm in.	mm in.	mm in.	mm in.	mm in.	kg lbs
55	2 1/8	UKFL212	UK212	HS2312	11780	8138	9 27/32	7 61/64	23/32	1 7/8	2 19/32	5 1/2	1 1/64	1.438	2.441	29/32	3/4	9.0
				H2312	52.4	36.2	250	202	18	48	65.5	140	29	36.5	62	23	M20	4.1
60	2 1/4	UKFL213	UK213	HE2313	12859	9015	10 9/32	8 17/64	25/32	1 31/32	2 21/32	6 3/32	1 3/16	1.469	2.559	29/32	3/4	11.0
				H2313	57.2	40.1	258	210	20	50	67.5	155	30	37.5	65	23	M20	5.0
65	2 1/2	UKFL215	UK215	HE2315	15152	10858	10 13/16	8 59/64	25/32	2 7/32	2 19/16	6 1/2	1 11/32	1.594	2.874	29/32	3/4	14.6
				H2315	67.4	48.3	275	225	20	56	74.5	165	34	40.5	73	23	M20	6.6
70	2 3/4	UKFL216	UK216	HE2316	16344	11915	11 13/32	9 11/64	25/32	2 9/32	3 3/32	7 3/32	1 11/32	1.750	3.071	63/64	7/8	17.9
				H2316	72.7	53.0	290	233	20	58	78.5	180	34	44.5	78	25	M22	8.1
75		UKFL217	UK217	H2317	84.0	61.9	305	248	22	63	82.5	190	36	46.5	82	25	M22	9.9
	3			HE2317	18884	13916	12	9 49/64	7/8	2 15/32	3 1/4	7 19/32	1 27/64	1.828	3.228	63/64	7/8	21.8
80	-	UKFL218	UK218	H2318	96.1	71.5	320	265	23	68	89.5	205	40	49.5	86	25	M22	12.2
					21604	16074	12 19/32	10 7/16	29/32	2 11/16	3 17/32	8 1/16	1 37/64	1.953	3.386	63/64	7/8	26.9

<sup>(2)</sup> Note: Adapter sleeve of the desired size should be ordered separately.



### UKFC 200 INDUSTRIAL TAPERED BORE FOR USE WITH ADAPTER SLEEVE LOCKING SERIES CAST-IRON PILOTED ROUND FLANGED HOUSED UNITS

- UKFC piloted round flanged units are suggested for industrial applications where normal loads are encountered.
- UKFC piloted round flanged units ensure accurate mounting fits and provide better support for heavy loads.
- Each unit comes assembled and ready for mounting, using bolts through the flange.
- These units use wide inner ring ball bearings with self-aligning spherical outside diameters that compensate for shaft misalignment.
- Timken UKFC series housed units feature the Timken tapered bore (UK) bearing insert for use with adapter sleeve.
- Bearing prelubricated and ready for immediate installation.
- Grease fitting supplied for relubrication<sup>(1)</sup>.
- The bonded seal design is well-suited for industrial applications involving wet or dirty environments.
- Bolt-hole spacing dimensions and shaft center location are interchangeable with competitive units.
- Housing designed for ease of bearing replacement.

Shaft Dia. d		Round Flange Cartridge Designation	Bearing Designation	Adapter <sup>(2)</sup> Designation	Basic Load Ratings		Dimensions											Bolt Size	Wt.
					Dynamic	Static	L	J	J <sub>1</sub>	A <sub>1</sub>	A <sub>2</sub>	A <sub>3</sub>	A <sub>4</sub>	H <sub>3</sub>	Y	B <sub>1</sub>	N		
					C <sub>r</sub>	C <sub>0r</sub>	mm	mm	mm	mm	mm	mm	mm	mm	mm	mm	mm		
20	¾	UKFC205	UK205	HE2305	3147	1765	4 17/32	3 35/64	2 ½	13/16	25/64	15/64	1 3/16	2.7560	0.781	1.378	15/32	¾	2.2
				H2305	<b>14</b>	<b>7.85</b>	<b>115</b>	<b>90</b>	<b>63.6</b>	<b>21</b>	<b>10</b>	<b>6</b>	<b>30.0</b>	<b>70</b>	<b>20.0</b>	<b>35</b>	<b>12</b>	<b>M10</b>	<b>1.0</b>
25	1	UKFC206	UK206	H2306	<b>19.5</b>	<b>11.3</b>	<b>125</b>	<b>100</b>	<b>70.7</b>	<b>23</b>	<b>10</b>	<b>8</b>	<b>31.5</b>	<b>80</b>	<b>21.5</b>	<b>38</b>	<b>12</b>	<b>M10</b>	<b>1.3</b>
				HE2306	4384	2540	4 29/32	3 15/16	2 25/32	29/32	25/64	5/16	1 ¼	3.1500	0.844	1.496	15/32	¾	2.9
30	1 1/8	UKFC207	UK207	HS2307	5778	3462	5 5/16	4 21/64	3 1/16	1 1/2	7/16	5/16	1 3/8	3.5430	0.938	1.693	35/64	7/16	3.7
				H2307	<b>25.7</b>	<b>15.4</b>	<b>135</b>	<b>110</b>	<b>77.8</b>	<b>26</b>	<b>11</b>	<b>8</b>	<b>35.0</b>	<b>90</b>	<b>24.0</b>	<b>43</b>	<b>14</b>	<b>M12</b>	<b>1.7</b>
35	1 1/4	UKFC208	UK208	HE2308	6542	4002	5 23/32	4 23/32	3 11/32	1 1/2	7/16	25/64	1 1/2	3.9370	1.063	1.811	35/64	7/16	4.4
				H2308	<b>29.1</b>	<b>17.8</b>	<b>145</b>	<b>120</b>	<b>84.8</b>	<b>26</b>	<b>11</b>	<b>10</b>	<b>38.0</b>	<b>100</b>	<b>27.0</b>	<b>46</b>	<b>14</b>	<b>M12</b>	<b>2.0</b>
40	1 1/2	UKFC209	UK209	HE2309	7666	4788	6 5/16	5 13/64	3 43/64	1 1/2	25/64	15/32	1 17/32	4.1340	1.156	1.969	5/8	1/2	6.0
				H2309	<b>34.1</b>	<b>21.3</b>	<b>160</b>	<b>132</b>	<b>93.3</b>	<b>26</b>	<b>10</b>	<b>12</b>	<b>39.0</b>	<b>105</b>	<b>29.0</b>	<b>50</b>	<b>16</b>	<b>M14</b>	<b>2.7</b>
45	1 3/4	UKFC210	UK210	HE2310	7891	5238	6 1/2	5 7/16	3 27/32	1 3/32	25/64	15/32	1 9/16	4.3310	1.188	2.165	5/8	1/2	6.6
				H2310	<b>35.1</b>	<b>23.3</b>	<b>165</b>	<b>138</b>	<b>97.6</b>	<b>28</b>	<b>10</b>	<b>12</b>	<b>40.0</b>	<b>110</b>	<b>30.0</b>	<b>55</b>	<b>16</b>	<b>M14</b>	<b>3.0</b>
50	2	UKFC211	UK211	H2311	<b>43.4</b>	<b>29.4</b>	<b>185</b>	<b>150</b>	<b>106.1</b>	<b>31</b>	<b>13</b>	<b>12</b>	<b>45.5</b>	<b>125</b>	<b>32.0</b>	<b>59</b>	<b>19</b>	<b>M16</b>	<b>4.3</b>
				HE2311	9757	6609	7 3/32	5 29/32	4 11/64	1 7/32	33/64	15/32	1 25/32	4.9210	1.250	2.323	¾	5/8	9.5

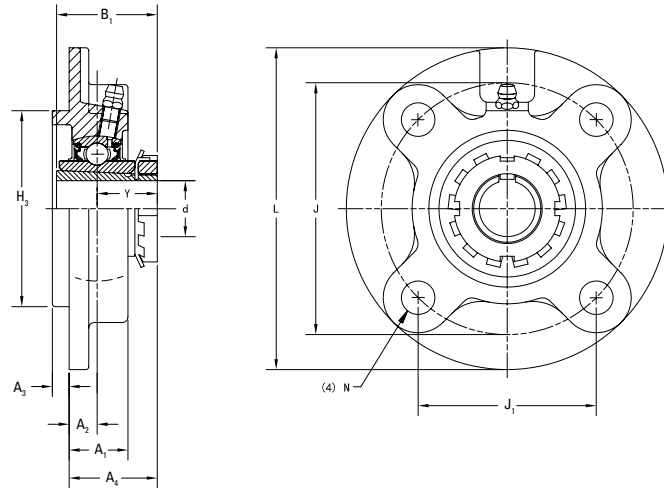
<sup>(1)</sup> For bore sizes up to and including 210, a 1/4-28 tapered thread fitting is used. For bore sizes greater than 211, a 1/8 BSPT fitting is used.

*Continued on next page.*

<sup>(2)</sup> Note: Adapter sleeve of the desired size should be ordered separately.

# U SERIES BALL BEARING HOUSED UNITS

UKFC 200 INDUSTRIAL TAPERED BORE FOR USE WITH ADAPTER SLEEVE LOCKING SERIES • CAST-IRON PILOTED ROUND FLANGED HOUSED UNITS



Continued from previous page.

Shaft Dia. d		Round Flange Cartridge Designation	Bearing Designation	Adapter <sup>(2)</sup> Designation	Basic Load Ratings		Dimensions										Bolt Size	Wt.	
					Dynamic	Static	L	J	J <sub>1</sub>	A <sub>1</sub>	A <sub>2</sub>	A <sub>3</sub>	A <sub>4</sub>	H <sub>3</sub>	Y	B <sub>1</sub>			N
					C <sub>r</sub>	C <sub>0r</sub>													
mm	in.				kN lbs	kN lbs	mm in.	mm in.	mm in.	mm in.	mm in.	mm in.	mm in.	mm in.	mm in.	mm in.	mm in.	mm in.	kg lbs
55	2 1/8	UKFC212	UK212	HS2312	11780	8138	7 11/16	6 19/64	4 29/64	1 13/32	43/64	15/32	2 3/32	5.315	1.438	2.441	3/4	5/8	10.8
				H2312	52.4	36.2	195	160	113.1	36	17	12	53.5	135	36.5	62	19	M16	4.9
60	2 1/4	UKFC213	UK213	HE2313	12859	9015	8 1/8	6 11/64	4 47/64	1 13/32	5/8	35/64	2 3/32	5.709	1.469	2.559	3/4	5/8	12.1
				H2313	57.2	40.1	205	170	120.2	36	16	14	53.5	145	37.5	65	19	M16	5.5
65	2 1/2	UKFC215	UK215	HE2315	15152	10858	8 27/32	7 1/4	5 1/8	1 1/16	45/64	5/8	2 3/16	6.299	1.594	2.874	3/4	5/8	16.3
				H2315	67.4	48.3	220	184	130.1	40	18	16	58.5	160	40.5	73	19	M16	7.4
70	2 3/4	UKFC216	UK216	HE2316	16344	11915	9 7/16	7 7/8	5 9/16	1 13/32	45/64	5/8	2 15/32	6.693	1.750	3.071	29/32	3/4	19.8
				H2316	72.7	53.0	240	200	141.4	42	18	16	62.5	170	44.5	78	23	M20	9.0
75	3	UKFC217	UK217	H2317	84.0	61.9	250	208	147.1	45	18	18	64.5	180	46.5	82	23	M20	10.4
				HE2317	18884	13916	9 27/32	8 3/16	5 51/64	1 25/32	45/64	45/64	2 17/32	7.087	1.828	3.228	29/32	3/4	22.9
80	-	UKFC218	UK218	H2318	96.1	71.5	265	220	155.5	50	22	18	71.5	190	49.5	86	23	M20	13.3
					21604	16074	10 7/16	8 21/32	6 1/8	1 31/32	55/64	45/64	2 13/16	7.480	1.953	3.386	29/32	3/4	29.3

<sup>(2)</sup> Note: Adapter sleeve of the desired size should be ordered separately.

**UKT 200 INDUSTRIAL TAPERED BORE  
FOR USE WITH ADAPTER SLEEVE LOCKING SERIES  
CAST-IRON TAKE-UP HOUSED UNITS**

- UKT take-up units are suggested for industrial applications where normal loads are encountered.
- UKT take-up units are used where shaft adjustment and belt-tightening devices are required, such as in conveyor applications.
- These units provide compact, efficient supports for adjustable shafts and conveyor take-up pulleys.
- Each unit comes assembled and ready for mounting.
- These units use wide inner ring ball bearings with self-aligning spherical outside diameters that compensate for shaft misalignment.
- Timken UKT series housed units feature the Timken tapered bore (UK) bearing insert for use with adapter sleeve.
- Bearing prelubricated and ready for immediate installation.
- Grease fitting supplied for relubrication<sup>(1)</sup>.
- The bonded seal design is well-suited for industrial applications involving wet or dirty environments.
- Slot spacing and width are interchangeable with competitive units.
- Housing designed for ease of bearing replacement.

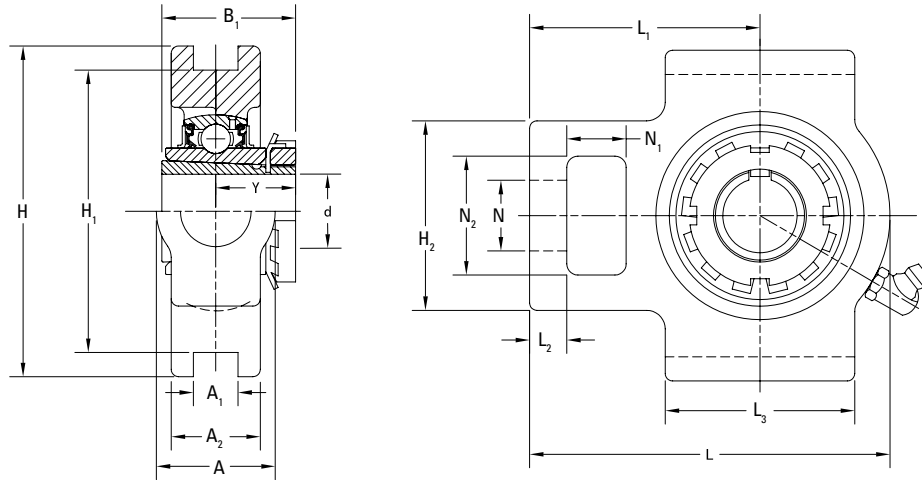
Shaft Dia. d		Take-Up Unit Designation	Bearing Designation	Adapter <sup>(2)</sup> Designation	Basic Load Ratings		Dimensions															Wt.
					Dynamic	Static	H	H <sub>1</sub>	L <sub>2</sub>	L <sub>1</sub>	A <sub>2</sub>	A	N	L	H <sub>2</sub>	Y	B <sub>1</sub>	L <sub>3</sub>	N <sub>1</sub>	N <sub>2</sub>	A <sub>1</sub>	
					C <sub>r</sub>	C <sub>0r</sub>	mm	mm	mm	mm	mm	mm	mm	mm	mm	mm	mm	mm	mm	mm	mm	
20	¾	UKT205	UK205	HE2305	3147	1765	3 ½	2 53/64	1 9/32	2 7/16	1 9/16	1 ¼	¾	3 13/16	2	0.781	1.378	2	5/8	1 ¼	1 5/32	1.9
				H2305	<b>14.0</b>	<b>7.9</b>	<b>89</b>	<b>76</b>	<b>10</b>	<b>62</b>	<b>24</b>	<b>32</b>	<b>19</b>	<b>97</b>	<b>51</b>	<b>20.0</b>	<b>35</b>	<b>51</b>	<b>16</b>	<b>32</b>	<b>12</b>	<b>0.9</b>
25	1	UKT206	UK206	H2306	<b>19.5</b>	<b>11.3</b>	<b>102</b>	<b>89</b>	<b>10</b>	<b>70</b>	<b>28</b>	<b>37</b>	<b>22</b>	<b>113</b>	<b>56</b>	<b>21.5</b>	<b>38</b>	<b>57</b>	<b>16</b>	<b>37</b>	<b>12</b>	<b>1.3</b>
				HE2306	4384	2540	4 1/2	3 1/2	1 9/32	2 3/4	1 3/32	1 15/32	7/8	4 7/16	2 7/32	0.844	1.496	2 1/4	5/8	1 15/32	1 5/32	2.9
30	1 1/8	UKT207	UK207	HS2307	5778	3462	4 1/2	3 1/2	1/2	3 1/16	1 3/16	1 15/32	7/8	5 3/32	2 17/32	0.938	1.693	2 17/32	5/8	1 15/32	1 5/32	3.7
				H2307	<b>25.7</b>	<b>15.4</b>	<b>102</b>	<b>89</b>	<b>13</b>	<b>78</b>	<b>30</b>	<b>37</b>	<b>22</b>	<b>129</b>	<b>64</b>	<b>24.0</b>	<b>43</b>	<b>64</b>	<b>16</b>	<b>37</b>	<b>12</b>	<b>1.7</b>
35	1 1/4	UKT208	UK208	HE2308	6542	4002	4 1/2	4 1/64	5/8	3 15/32	1 5/16	1 15/16	1 5/32	5 21/32	3 9/32	1.063	1.811	3 9/32	¾	1 15/16	5/8	5.5
				H2308	<b>29.1</b>	<b>17.8</b>	<b>114</b>	<b>102</b>	<b>16</b>	<b>88</b>	<b>33</b>	<b>49</b>	<b>29</b>	<b>144</b>	<b>83</b>	<b>27.0</b>	<b>46</b>	<b>83</b>	<b>19</b>	<b>49</b>	<b>16</b>	<b>2.5</b>
40	1 1/2	UKT209	UK209	HE2309	7666	4788	4 19/32	4 1/64	5/8	3 7/16	1 3/8	1 15/16	1 5/32	5 21/32	3 9/32	1.156	1.969	3 9/32	¾	1 15/16	5/8	5.5
				H2309	<b>34.1</b>	<b>21.3</b>	<b>117</b>	<b>102</b>	<b>16</b>	<b>87</b>	<b>35</b>	<b>49</b>	<b>29</b>	<b>144</b>	<b>83</b>	<b>29.0</b>	<b>50</b>	<b>83</b>	<b>19</b>	<b>49</b>	<b>16</b>	<b>2.5</b>
45	1 3/4	UKT210	UK210	HE2310	7891	5238	4 19/32	4 1/64	5/8	3 17/32	1 15/32	1 15/16	1 5/32	5 7/8	3 9/32	1.188	2.165	3 3/8	¾	1 15/16	5/8	6.0
				H2310	<b>35.1</b>	<b>23.3</b>	<b>117</b>	<b>102</b>	<b>16</b>	<b>90</b>	<b>37</b>	<b>49</b>	<b>29</b>	<b>149</b>	<b>83</b>	<b>30.0</b>	<b>55</b>	<b>86</b>	<b>19</b>	<b>49</b>	<b>16</b>	<b>2.7</b>
50	2	UKT211	UK211	H2311	<b>43.4</b>	<b>29.4</b>	<b>146</b>	<b>130</b>	<b>16</b>	<b>106</b>	<b>38</b>	<b>64</b>	<b>35</b>	<b>171</b>	<b>102</b>	<b>32.0</b>	<b>59</b>	<b>95</b>	<b>25</b>	<b>64</b>	<b>22</b>	<b>4.1</b>
				HE2311	9757	6609	5 3/4	5 1/8	5/8	4 3/16	1 1/2	2 17/32	1 3/8	6 23/32	4 1/32	1.250	2.323	3 3/4	3 3/32	2 17/32	55/64	9.0

<sup>(1)</sup> For bore sizes up to and including 210, a 1/4-28 tapered thread fitting is used. For bore sizes greater than 211, a 1/8 BSPT fitting is used.  
<sup>(2)</sup> Note: Adapter sleeve of the desired size should be ordered separately.

*Continued on next page.*

# U SERIES BALL BEARING HOUSED UNITS

UKT 200 INDUSTRIAL TAPERED BORE FOR USE WITH ADAPTER SLEEVE LOCKING SERIES • CAST-IRON TAKE-UP HOUSED UNITS



Continued from previous page.

Shaft Dia. d		Take-Up Unit Designation	Bearing Designation	Adapter <sup>(2)</sup> Designation	Basic Load Ratings		Dimensions															Wt.
					Dynamic	Static	H	H <sub>1</sub>	L <sub>2</sub>	L <sub>1</sub>	A <sub>2</sub>	A	N	L	H <sub>2</sub>	Y	B <sub>1</sub>	L <sub>3</sub>	N <sub>1</sub>	N <sub>2</sub>	A <sub>1</sub>	
					C <sub>r</sub>	C <sub>0r</sub>	mm	mm	mm	mm	mm	mm	mm	mm	mm	mm	mm	mm	mm	mm	mm	
55	2 7/8	UKT212	UK212	HS2312	11780	8138	5 3/4	5 1/8	3/4	4 11/16	1 21/32	2 17/32	1 3/8	7 5/8	4 1/2	1.438	2.441	4 1/2	1 1/4	2 17/32	55/64	10.6
				H2312	<b>52.4</b>	<b>36.2</b>	<b>146</b>	<b>130</b>	<b>19</b>	<b>119</b>	<b>42</b>	<b>64</b>	<b>35</b>	<b>194</b>	<b>102</b>	<b>36.5</b>	<b>62</b>	<b>102</b>	<b>32</b>	<b>64</b>	<b>22</b>	<b>4.8</b>
60	2 1/4	UKT213	UK213	HE2313	12859	9015	6 9/16	5 15/16	13/16	5 13/32	1 23/32	2 3/4	1 5/8	8 13/16	4 3/8	1.469	2.539	4 3/4	1 1/4	2 3/4	1 1/2	15.0
				H2313	<b>57.2</b>	<b>40.1</b>	<b>167</b>	<b>151</b>	<b>21</b>	<b>137</b>	<b>44</b>	<b>70</b>	<b>41</b>	<b>224</b>	<b>111</b>	<b>37.5</b>	<b>65</b>	<b>121</b>	<b>32</b>	<b>70</b>	<b>26</b>	<b>6.8</b>
65	2 1/2	UKT215	UK215	HE2315	15152	10858	6 9/16	5 15/16	13/16	5 1/2	1 7/8	2 3/4	1 5/8	9 5/8	4 3/8	1.594	2.874	4 3/4	1 1/4	2 3/4	1 1/2	16.3
				H2315	<b>67.4</b>	<b>48.3</b>	<b>167</b>	<b>151</b>	<b>21</b>	<b>140</b>	<b>48</b>	<b>70</b>	<b>41</b>	<b>232</b>	<b>111</b>	<b>40.5</b>	<b>73</b>	<b>121</b>	<b>32</b>	<b>70</b>	<b>26</b>	<b>7.4</b>
70	2 3/4	UKT216	UK216	HE2316	16344	11915	7 1/4	6 1/2	13/16	5 1/2	2	2 3/4	1 5/8	9 1/4	4 3/8	1.750	3.071	4 3/4	1 1/4	2 3/4	1 1/2	18.7
				H2316	<b>72.7</b>	<b>53.0</b>	<b>184</b>	<b>165</b>	<b>21</b>	<b>140</b>	<b>51</b>	<b>70</b>	<b>41</b>	<b>235</b>	<b>111</b>	<b>44.5</b>	<b>78</b>	<b>121</b>	<b>32</b>	<b>70</b>	<b>26</b>	<b>8.5</b>
75	3	UKT217	UK217	H2317	<b>84.0</b>	<b>61.9</b>	<b>198</b>	<b>173</b>	<b>29</b>	<b>162</b>	<b>54</b>	<b>73</b>	<b>48</b>	<b>260</b>	<b>124</b>	<b>46.5</b>	<b>82</b>	<b>157</b>	<b>38</b>	<b>73</b>	<b>30</b>	<b>11.2</b>
				HE2317	18884	13916	7 25/32	6 13/16	1 5/32	6 3/8	2 1/8	2 7/8	1 7/8	10 1/4	4 7/8	1.828	3.228	6 3/16	1 1/2	2 7/8	1 3/16	24.7

<sup>(2)</sup> Note: Adapter sleeve of the desired size should be ordered separately.

### UK 200 INDUSTRIAL TAPERED BORE FOR USE WITH ADAPTER SLEEVE LOCKING SERIES WIDE INNER RING BALL BEARINGS

- The UK tapered bore wide inner ring ball bearing uses an adapter sleeve locking mechanism and is suggested for industrial applications where normal loads are encountered.
- The adapter locking feature is used in applications where the bearings are exposed to excessive vibration and impact.
- Adapter locking results in high concentricity.
- Adapter locking prevents fretting corrosion under adverse conditions.
- Bearing prelubricated and ready for immediate installation.
- The wide inner ring provides effective shaft support for a broad range of industrial applications.
- The positive contact of the land-riding bonded nitrile seal helps protect against harmful contaminants and retains lubricant under severe operating conditions.
- An external steel flinger provides additional protection from contamination.
- The UK series features superfinished raceways, grade-10 balls for smooth running and low noise operation.
- UK series wide inner ring ball bearings have spherical outside diameters for use in housings with corresponding spherical inside surfaces to compensate for shaft misalignment.

Shaft Dia. d		Bearing Designation	Adapter <sup>(1)</sup> Designation	Basic Load Ratings		Dimensions								Min. Fillet Radius		Wt.
				Dynamic	Static	D	C	B	C <sub>1</sub>	d <sub>1</sub>	d <sub>2</sub>	B <sub>1</sub>	B <sub>2</sub>	r	r <sub>1</sub>	
				C <sub>r</sub>	C <sub>0r</sub>	mm	mm	mm	mm	mm	mm	mm	mm	mm	mm	
mm	in.			kN lbs.	kN lbs.	mm in.	mm in.	mm in.	mm in.	mm in.	mm in.	mm in.	mm in.	mm in.	mm in.	kg lbs.
	¾	UK205	HE2305	3147	1765	2.047	0.669	0.945	0.177	0.984	1.496	1.378	0.315	0.043	0.024	0.4
20			H2305	14.0	7.9	52	17	24	4.5	25	38	35	8.0	1.1	0.6	0.2
25		UK206	H2306	19.5	11.3	62	19	27	5.0	30	45	38	8.0	1.1	0.6	0.3
	1		HE2306	4384	2540	2.441	0.748	1.063	0.197	1.181	1.772	1.496	.0315	0.043	0.024	0.6
	1 ¼	UK207	HS2307	5778	3462	2.835	0.787	1.181	0.224	1.378	2.047	1.693	.0354	0.043	0.020	0.9
30			H2307	25.7	15.4	72	20	30	5.7	35	52	43	9.0	1.1	0.5	0.4
	1 ½	UK208	HE2308	6542	4002	3.150	0.827	1.339	0.236	1.575	2.283	1.811	0.394	0.060	0.020	1.3
35			H2308	29.1	17.8	80	21	34	6.0	40	58	46	58	1.5	0.5	0.6
	1 ½	UK209	HE2309	7666	4788	3.346	0.866	1.417	0.236	1.772	2.559	1.969	0.433	0.060	0.020	1.4
40			H2309	34.1	21.3	85	22	36	6.0	45	65	50	11.0	1.5	0.5	0.7
	1 ¾	UK210	HE2310	7891	5238	3.543	0.945	1.417	0.236	1.969	2.756	2.165	.0472	0.060	0.020	1.4
45			H2310	35.1	23.3	90	24	36	6.0	50	70	55	12.0	1.5	0.5	0.7
50		UK211	H2311	43.4	29.4	100	25	40	7.0	55	75	59	12.5	1.5	0.5	1.1
	2		HE2311	9757	6609	3.937	0.984	1.575	0.276	2.165	2.953	2.323	0.492	0.060	0.020	2.4

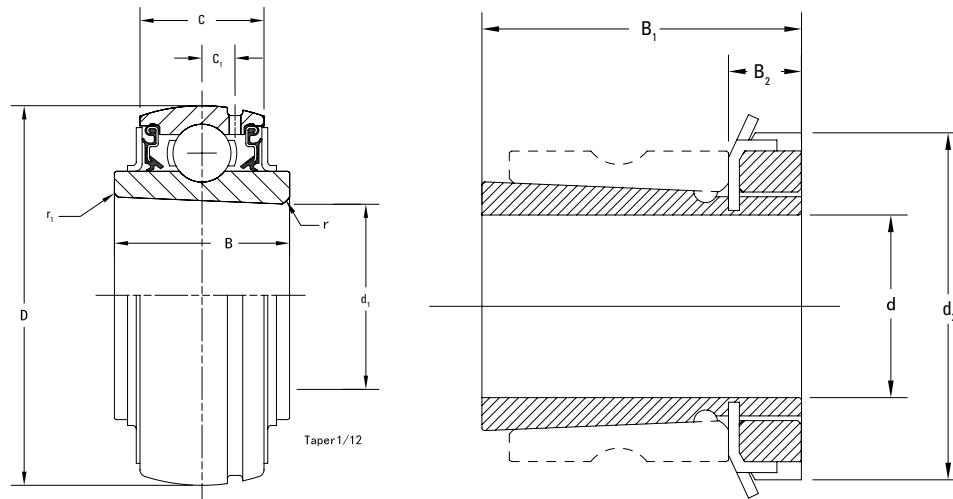
<sup>(1)</sup> For bore sizes up to and including 210, a ¼-28 tapered thread fitting is used. For bore sizes greater than 211, a ½ BSPT fitting is used.

<sup>(2)</sup> Note: Adapter sleeve of the desired size should be ordered separately.

*Continued on next page.*

# U SERIES BALL BEARING HOUSED UNITS

UK 200 INDUSTRIAL TAPERED BORE FOR USE WITH ADAPTER SLEEVE LOCKING SERIES • WIDE INNER RING BALL BEARINGS



Continued from previous page.

Shaft Dia. d		Bearing Designation	Adapter <sup>(1)</sup> Designation	Basic Load Ratings		Dimensions								Min. Fillet Radius		Wt.
				Dynamic C <sub>r</sub>	Static C <sub>0r</sub>	D	C	B	C <sub>1</sub>	d <sub>1</sub>	d <sub>2</sub>	B <sub>1</sub>	B <sub>2</sub>	r (min.)	r <sub>1</sub> (min)	
mm	in.			kN lbs.	kN lbs.	mm in.	mm in.	mm in.	mm in.	mm in.	mm in.	mm in.	mm in.	mm in.	mm in.	kg lbs.
55	2 7/8	UK212	HS2312	11780	8138	4.331	1.063	1.850	0.295	2.362	3.150	2.441	0.512	0.075	0.020	3.1
			H2312	<b>52.4</b>	<b>36.2</b>	<b>110</b>	<b>27</b>	<b>47</b>	<b>7.5</b>	<b>60</b>	<b>80</b>	<b>62</b>	<b>13</b>	<b>1.9</b>	<b>0.5</b>	<b>1.4</b>
60	2 1/4	UK213	HE2313	12859	9015	4.724	1.102	1.850	0.295	2.559	3.346	2.559	0.551	0.043	0.035	3.7
			H2313	<b>57.2</b>	<b>40.1</b>	<b>120</b>	<b>28</b>	<b>47</b>	<b>7.5</b>	<b>65</b>	<b>85</b>	<b>65</b>	<b>14</b>	<b>1.1</b>	<b>0.9</b>	<b>1.7</b>
65	2 1/2	UK215	HE2315	15152	10858	5.118	1.260	2.008	0.354	2.953	3.858	2.874	.0591	0.087	0.028	4.4
			H2315	<b>67.4</b>	<b>48.3</b>	<b>130</b>	<b>32</b>	<b>51</b>	<b>9.0</b>	<b>75</b>	<b>98</b>	<b>73</b>	<b>15</b>	<b>2.2</b>	<b>0.7</b>	<b>2.0</b>
70	2 3/4	UK216	HE2316	16344	11915	5.512	1.299	2.165	0.354	3.150	4.134	3.071	0.669	0.087	0.024	5.6
			H2316	<b>72.7</b>	<b>53.0</b>	<b>140</b>	<b>33</b>	<b>55</b>	<b>9.0</b>	<b>80</b>	<b>105</b>	<b>78</b>	<b>17</b>	<b>2.2</b>	<b>0.6</b>	<b>2.6</b>
75	3	UK217	H2317	<b>84.0</b>	<b>61.9</b>	<b>150</b>	<b>35</b>	<b>57</b>	<b>10.0</b>	<b>85</b>	<b>110</b>	<b>82</b>	<b>18</b>	<b>2.2</b>	<b>0.5</b>	<b>3.1</b>
			HE2317	18884	13916	5.906	1.378	2.244	0.394	3.346	4.331	3.228	0.709	0.087	0.020	6.8
80	-	UK218	H2318	<b>96.1</b>	<b>71.5</b>	<b>160</b>	<b>38</b>	<b>63</b>	<b>11.0</b>	<b>90</b>	<b>120</b>	<b>86</b>	<b>18</b>	<b>2.2</b>	<b>0.4</b>	<b>3.8</b>
				21604	16074	6.299	1.496	2.480	0.433	3.543	4.724	3.386	0.709	0.087	0.016	8.3

<sup>(1)</sup> Note: Adapter sleeve of the desired size should be ordered separately.



***UC 300 HEAVY-DUTY SET SCREW  
LOCKING SERIES***

The following topics are covered within this section:

UCP 300 Pillow Block Housed Units . . . . .	60
UCF 300 Four-Bolt Flanged Housed Units . . . . .	62
UCFL 300 Two-Bolt Flanged Housed Units . . . . .	64
UCT 300 Take-Up Housed Units . . . . .	66
UC 300 Wide Inner Ring Ball Bearings . . . . .	68





### UCP 300 HEAVY-DUTY SET SCREW LOCKING SERIES CAST-IRON PILLOW BLOCK HOUSED UNITS

- UCP pillow blocks are suggested for industrial applications where heavy loads are encountered.
- Compact, one-piece housing with two-bolt mounting can be installed in any position and makes bearing replacement easy.
- These units use wide inner ring ball bearings with self-aligning spherical outside diameters that compensate for shaft misalignment.
- Timken UCP series housed units feature the Timken set screw locking (UC) bearing insert.
- Bearing prelubricated and ready for immediate installation.
- Grease fitting supplied for relubrication<sup>(1)</sup>.
- The bonded seal design is well-suited for applications involving wet or dirty environments.
- Bolt-hole spacing and base-to-center height dimensions are interchangeable with competitive units.
- Housing designed for ease of bearing replacement.

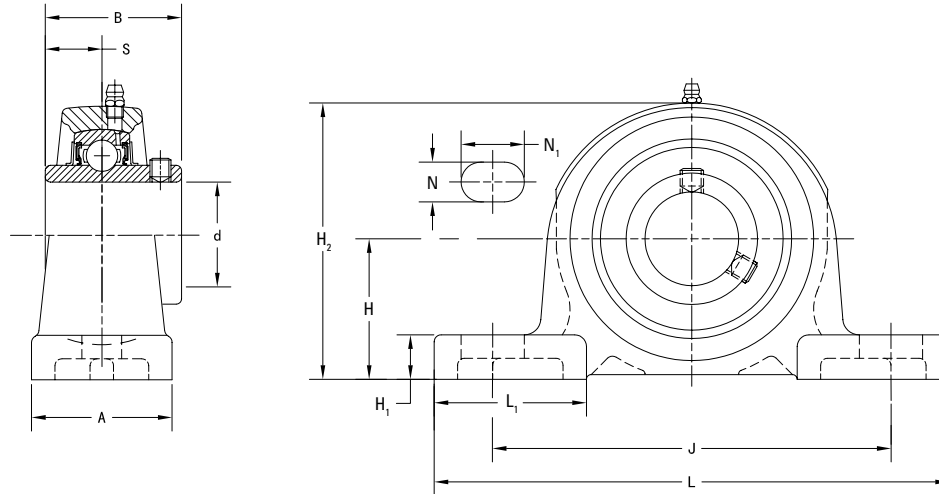
Shaft Dia. d	Pillow Block Designation	Bearing Designation	Basic Load Ratings		Dimensions											Bolt Size	Wt.	
			Dynamic C <sub>r</sub>	Static C <sub>0r</sub>	H	L	L <sub>1</sub>	A	H <sub>1</sub>	J	H <sub>2</sub>	S	B	N	N <sub>1</sub>			
mm	in.		kN lbs	kN lbs	mm in.	mm in.	mm in.	mm in.	mm in.	mm in.	mm in.	mm in.	mm in.	mm in.	mm in.	mm in.	mm in.	kg lbs
25	UCP305	UC305	21.2 4766	10.9 2450	45 1 49/64	175 6 7/8	55.0 2 9/32	45 1 29/32	16 5/8	132 5 3/16	85.0 3 11/32	15 0.591	38 1.496	17 2 1/32	20 2 9/32	M14 1/2	1.7 3.7	
	1	UCP305-16																UC305-16
30	UCP306	UC306	26.7 6002	15.0 3372	50 1 31/32	180 7 3/32	52.5 2 1/16	50 1 31/32	17 2 1/32	140 5 1/2	95.0 3 3/4	17 0.669	43 1.693	17 2 1/32	20 2 5/32	M14 1/2	2.2 4.9	
35	UCP307	UC307	33.4 7509	19.3 4339	56 2 13/64	210 8 9/32	65.0 2 9/16	56 2 7/32	19 3/4	160 6 5/16	107.0 4 7/32	19 0.748	48 1.890	17 2 1/32	25 3 1/32	M14 1/2	3.0 6.6	
	1 1/2	UCP308-24																UC308-24
40	UCP308	UC308	40.7 9150	24.0 5395	60 2 23/64	220 8 21/32	65.0 2 9/16	60 2 3/8	19 3/4	170 6 11/16	118.0 4 21/32	19 0.748	52 2.047	17 2 1/32	27 1 1/16	M14 1/2	3.8 8.4	
45	UCP309-28	UC309-28	48.9 10993	29.5 6632	67 2 41/64	245 9 21/32	75.0 2 9/16	67 2 5/8	21 1 3/16	190 7 15/32	132.0 5 3/16	22 0.866	57 2.244	20 2 5/32	30 1 3/16	M16 5/8	4.9 10.8	
	1 3/4	UCP309																UC309
50	UCP310	UC310	62.0 13938	38.3 8610	75 2 61/64	275 10 13/16	87.5 3 7/16	75 2 9/16	24 1 9/16	212 8 11/32	148.0 5 13/16	22 0.866	61 2.402	20 2 5/32	35 1 3/8	M16 5/8	6.6 14.5	
	2	UCP311-32																UC311-32
55	UCP311	UC311	71.6 16096	45.0 10116	80 3 3/32	310 12 7/32	90.0 3 11/32	80 3 3/32	27 1 1/16	236 9 9/32	157.5 6 13/64	25 0.984	66 2.598	20 2 5/32	38 1 1/2	M16 5/8	7.9 17.4	
60	UCP311-35	UC311-35	81.9 18412	52.2 11735	85 3 11/32	330 13	102.5 4 1/32	85 3 11/32	29 1 1/2	250 9 27/32	167.0 6 9/16	26 1.024	71 2.795	25 3 1/32	38 1 1/2	M20 3/4	9.5 20.9	
	2 3/16	UCP312																UC312
65	UCP312-39	UC312-39	92.7 20840	59.9 13466	90 3 35/64	340 13 3/8	110.0 4 11/32	90 3 17/32	32 1 1/4	260 10 1/4	176.0 6 15/16	30 1.181	75 2.953	25 3 1/32	38 1 1/2	M20 3/4	10.7 23.6	
	2 1/2	UCP313																UC313
70	UCP313-40	UC313-40	104.0 23380	68.2 15332	95 3 47/64	360 14 3/16	110.0 4 11/32	90 3 17/32	35 1 3/8	280 11 1/32	186.0 7 7/16	33 1.299	78 3.071	27 1 1/16	40 1 1/16	M22 7/8	12.4 27.3	
	2 3/4	UCP314																UC314

<sup>(1)</sup> For bore sizes up to and including 210, a 1/4-28 tapered thread fitting is used. For bore sizes greater than 211, a 1/8 BSPT fitting is used.

Continued on next page.

# U SERIES BALL BEARING HOUSED UNITS

## UCP 300 HEAVY-DUTY SET SCREW LOCKING SERIES • CAST-IRON PILLOW BLOCK HOUSED UNITS



Continued from previous page.

Shaft Dia. d		Pillow Block Designation	Bearing Designation	Basic Load Ratings		Dimensions											Bolt Size	Wt.	
				Dynamic C <sub>r</sub>	Static C <sub>0r</sub>	H	L	L <sub>1</sub>	A	H <sub>1</sub>	J	H <sub>2</sub>	S	B	N	N <sub>1</sub>			
mm	in.			kN lbs	kN lbs	mm in.	mm in.	mm in.	mm in.	mm in.	mm in.	mm in.	mm in.	mm in.	mm in.	mm in.	mm in.	mm in.	kg lbs
75	2 15/16	UCP315-47	UC315-47	113 25403	77.2 17355	100 3 15/16	380 14 3/32	107 4 7/32	100 3 15/16	35 1 3/8	290 11 13/32	198 7 25/32	32 1.260	82 3.228	27 1 1/16	40 1 1/16	M22 7/8	14.8 32.6	
		UCP315	UC315																
	3	UCP315-48	UC315-48																
80		UCP316	UC316	123 27651	86.7 19491	106 4 11/16	400 15 3/4	120 4 23/32	110 4 11/32	35 1 3/8	300 11 13/16	209 8 7/32	34 1.339	86 3.386	27 1 1/16	40 1 1/16	M22 7/8	18.5 40.8	
85		UCP317	UC317	133 29900	96.8 21762	112 4 13/32	420 16 17/32	120 4 23/32	110 4 11/32	40 1 1/16	320 12 19/32	220 8 21/32	40 1.575	96 3.780	33 1 1/16	45 1 25/32	M27 1	20.3 44.7	
90	3 1/2	UCP318-56	UC318-56	143 32148	107 24055	118 4 41/64	430 16 15/16	120 4 23/32	110 4 11/32	40 1 1/16	330 13	234 9 7/32	40 1.575	96 3.780	33 1 1/16	45 1 25/32	M27 1	22.8 50.2	
		UCP318	UC318																
95		UCP319	UC319	153 34396	119 26752	125 4 59/64	470 18 1/2	125 4 29/32	120 4 23/32	46 1 13/16	360 14 3/16	248 9 3/4	41 1.614	103 4.055	36 1 19/32	50 1 31/32	M30 1 1/8	29.0 63.9	
100		UCP320	UC320	173 38892	141 31698	140 5 33/64	490 19 9/32	140 5 1/2	120 4 23/32	46 1 13/16	380 14 31/32	273 10 3/4	42 1.654	108 4.252	36 1 19/32	50 1 31/32	M30 1 1/8	35.1 77.3	
	3 15/16	UCP320-63	UC320-63																
	4	UCP320-64	UC320-64																
105		UCP321	UC321	184 41365	153 34396	140 5 33/64	490 19 9/32	140 5 1/2	120 4 23/32	46 1 13/16	380 14 31/32	278 10 15/16	44 1.732	112 4.409	36 1 19/32	50 1 31/32	M30 1 1/8	37.6 82.8	
110		UCP322	UC322	205 46086	180 40466	150 5 29/32	520 20 15/32	150 5 29/32	140 5 1/2	50 1 31/32	400 15 3/4	296 11 21/32	46 1.811	117 4.606	40 1 1/16	55 2 1/8	M33 1 1/4	44.0 97	
120		UCP324	UC324	207 46535	185 41590	160 6 19/64	570 22 7/16	160 6 9/16	140 5 1/2	50 1 31/32	450 17 23/32	316 12 7/16	51 2.008	126 4.961	40 1 1/16	55 2 1/8	M33 1 1/4	55.4 122.1	
130		UCP326	UC326	229 51481	214 48109	180 7 3/32	600 23 3/8	195 7 11/16	140 5 1/2	50 1 31/32	480 18 29/32	355 13 21/32	54 2.126	135 5.315	40 1 1/16	55 2 1/8	M33 1 1/4	72.1 158.9	
140		UCP328	UC328	253 56877	246 55303	200 7 7/8	620 24 13/32	185 7 9/32	140 5 1/2	60 2 3/8	500 19 11/16	393 15 15/32	59 2.323	145 5.709	40 1 1/16	55 2 1/8	M33 1 1/4	92.5 203.9	

### UCF 300 HEAVY-DUTY SET SCREW LOCKING SERIES CAST-IRON FOUR-BOLT FLANGED HOUSED UNITS

- UCF four-bolt flanged units are suggested for industrial applications where heavy loads are encountered.
- Each unit comes assembled and ready for mounting, using bolts through the flange.
- These units use wide inner ring ball bearings with self-aligning spherical outside diameters that compensate for shaft misalignment.
- Timken UCF series housed units feature the Timken set screw locking (UC) bearing insert.
- Bearing prelubricated and ready for immediate installation.
- Grease fitting supplied for relubrication<sup>(1)</sup>.
- The bonded seal design is well-suited for applications involving wet or dirty environments.
- Bolt-hole spacing dimensions and shaft center location are interchangeable with competitive units.
- Housing designed for ease of bearing replacement.

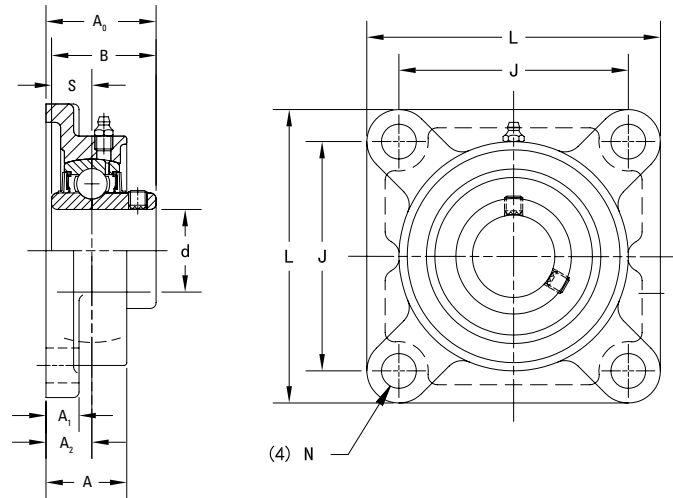
Shaft Dia. d		Four-Bolt Flange Designation	Bearing Designation	Basic Load Ratings		Dimensions									Bolt Size	Wt.
				Dynamic	Static	L	J	A <sub>1</sub>	A	A <sub>0</sub>	S	B	A <sub>2</sub>	N		
				C <sub>r</sub>	C <sub>0r</sub>											
mm	in.					mm in.	mm in.	mm in.	mm in.	mm in.	mm in.	mm in.	mm in.	mm in.	mm in.	kg lbs
25		UCF305	UC305	<b>21.2</b>	<b>10.9</b>	<b>110</b>	<b>80</b>	<b>13</b>	<b>29</b>	<b>39</b>	<b>15</b>	<b>38</b>	<b>16</b>	<b>16</b>	<b>M14</b>	<b>1.3</b>
	1	UCF305-16	UC305-16	4766	2450	4 11/32	3 3/32	1/2	1 1/32	1 17/32	0.591	1.496	5/8	5/8	M14 1/2	2.8
30		UCF306	UC306	<b>26.7</b>	<b>15.0</b>	<b>125</b>	<b>95</b>	<b>15</b>	<b>32</b>	<b>44</b>	<b>17</b>	<b>43</b>	<b>18</b>	<b>16</b>	<b>M14</b>	<b>1.9</b>
				6002	3372	4 29/32	3 47/64	19/32	1 1/4	1 47/64	0.669	1.693	45/64	5/8	M14 1/2	4.2
35		UCF307	UC307	<b>33.4</b>	<b>19.3</b>	<b>135</b>	<b>100</b>	<b>16</b>	<b>36</b>	<b>49</b>	<b>19</b>	<b>48</b>	<b>20</b>	<b>19</b>	<b>M16</b>	<b>2.3</b>
				7509	4339	5 3/16	3 15/16	5/8	1 13/32	1 59/64	0.748	1.890	25/32	3/4	M16 5/8	5
40	1 1/2	UCF308-24	UC308-24	<b>40.7</b>	<b>24.0</b>	<b>150</b>	<b>112</b>	<b>17</b>	<b>40</b>	<b>56</b>	<b>19</b>	<b>52</b>	<b>23</b>	<b>19</b>	<b>M16</b>	<b>3.1</b>
		UCF308	UC308	9150	5395	5 29/32	4 13/32	2 1/32	1 9/16	2 13/64	0.748	2.047	29/32	3/4	M16 5/8	6.8
45	1 3/4	UCF309-28	UC309-28	<b>48.9</b>	<b>29.5</b>	<b>160</b>	<b>125</b>	<b>18</b>	<b>44</b>	<b>60</b>	<b>22</b>	<b>57</b>	<b>25</b>	<b>19</b>	<b>M16</b>	<b>4.0</b>
		UCF309	UC309	10993	6632	6 5/16	4 59/64	23/32	1 23/32	2 23/64	0.866	2.244	63/64	3/4	M16 5/8	8.8
50		UCF310	UC310	<b>62.0</b>	<b>38.3</b>	<b>175</b>	<b>132</b>	<b>19</b>	<b>48</b>	<b>67</b>	<b>22</b>	<b>61</b>	<b>28</b>	<b>23</b>	<b>M20</b>	<b>5.1</b>
				13938	8610	6 7/8	5 13/64	3/4	1 7/8	2 41/64	0.866	2.402	1 1/64	29/32	M20 3/4	11.2
55	2	UCF311-32	UC311-32	<b>71.6</b>	<b>45.0</b>	<b>185</b>	<b>140</b>	<b>20</b>	<b>52</b>	<b>71</b>	<b>25</b>	<b>66</b>	<b>30</b>	<b>23</b>	<b>M20</b>	<b>5.6</b>
		UCF311	UC311	16096	10116	7 7/32	5 33/64	25/32	2 1/16	2 51/64	0.984	2.598	1 3/16	29/32	M20 3/4	12.3
60	2 3/16	UCF311-35	UC311-35	<b>81.9</b>	<b>52.2</b>	<b>195</b>	<b>150</b>	<b>22</b>	<b>56</b>	<b>78</b>	<b>26</b>	<b>71</b>	<b>33</b>	<b>23</b>	<b>M20</b>	<b>6.9</b>
		UCF312	UC312	18412	11735	7 11/16	5 29/32	7/8	2 7/32	3 5/64	1.024	2.795	1 19/64	29/32	M20 3/4	15.2
65	2 7/16	UCF312-39	UC312-39	<b>92.7</b>	<b>59.9</b>	<b>208</b>	<b>166</b>	<b>22</b>	<b>58</b>	<b>78</b>	<b>30</b>	<b>75</b>	<b>33</b>	<b>23</b>	<b>M20</b>	<b>7.8</b>
		UCF313	UC313	20840	13466	8 3/16	6 17/32	7/8	2 9/32	3 5/64	1.181	2.953	1 19/64	29/32	M20 3/4	17.2
70	2 1/2	UCF313-40	UC313-40	<b>104.0</b>	<b>68.2</b>	<b>226</b>	<b>178</b>	<b>25</b>	<b>61</b>	<b>81</b>	<b>33</b>	<b>78</b>	<b>36</b>	<b>25</b>	<b>M22</b>	<b>10.1</b>
		UCF314	UC314	23380	15332	8 29/32	7 7/64	3 1/32	2 13/32	3 3/16	1.299	3.071	1 27/64	63/64	M22 7/8	22.3

<sup>(1)</sup> For bore sizes up to and including 210, a 1/4-28 tapered thread fitting is used. For bore sizes greater than 211, a 1/8 BSPT fitting is used.

Continued on next page.

# U SERIES BALL BEARING HOUSED UNITS

## UCF 300 HEAVY-DUTY SET SCREW LOCKING SERIES • CAST-IRON FOUR-BOLT FLANGED HOUSED UNITS



Continued from previous page.

Shaft Dia. d	Four-Bolt Flange Designation	Bearing Designation	Basic Load Ratings		Dimensions										Bolt Size	Wt.
			Dynamic C <sub>r</sub>	Static C <sub>0r</sub>	L	J	A <sub>1</sub>	A	A <sub>0</sub>	S	B	A <sub>2</sub>	N			
mm	in.		kN lbs	kN lbs	mm in.	mm in.	mm in.	mm in.	mm in.	mm in.	mm in.	mm in.	mm in.	mm in.	mm in.	kg lbs
75	2 15/16	UCF315-47	UC315-47	113.0 25403	77.2 17355	236 9 5/32	184 7 1/4	25 3 1/2	66 2 19/32	89 3 1/2	32 1.260	82 3.228	39 1 17/32	25 63/64	M22 7/8	11.6 25.6
		UCF315	UC315													
	3	UCF315-48	UC315-48													
80		UCF316	UC316	123.0 27651	86.7 19491	250 9 27/32	196 7 23/32	27 1 1/16	68 2 11/16	90 3 39/64	34 1.339	86 3.386	38 1 1/2	31 1 1/32	M27 1	12.8 28.2
85		UCF317	UC317	133.0 29900	96.8 21762	260 10 1/4	204 8 1/32	27 1 1/16	74 2 29/32	100 3 15/16	40 1.575	96 3.780	44 1 47/64	31 1 1/32	M27 1	15.3 33.7
	3 1/2	UCF318-56	UC318-56	143.0 32148	107.0 24055	280 11 13/32	216 8 1/2	30 1 3/16	76 3	100 3 15/16	40 1.575	96 3.780	44 1 47/64	35 1 3/8	M30 1 1/8	18.9 41.7
90		UCF318	UC318													
95		UCF319	UC319	153.0 34396	119.0 26752	290 11 19/32	228 8 33/32	30 1 3/16	94 3 11/16	121 4 49/64	41 1.614	103 4.055	59 2 21/64	35 1 3/8	M30 1 1/8	21.6 47.6
100		UCF320	UC320	173.0 38892	141.0 36198	310 12 7/32	242 9 17/32	32 1 1/4	94 3 11/16	125 4 39/64	42 1.654	108 4.252	59 2 21/64	38 1 1/2	M33 1 1/4	25.8 56.8
	3 15/16	UCF320-63	UC320-63													
	4	UCF320-64	UC320-64													
105		UCF321	UC321	184.0 41365	153.0 34396	310 12 7/32	242 9 17/32	32 1 1/4	94 3 11/16	127 5	44 1.732	112 4.409	59 2 21/64	38 1 1/2	M33 1 1/4	30.2 66.5
110		UCF322	UC322	205.0 46086	180.0 40466	340 13 3/8	266 10 19/32	35 1 3/8	96 3 29/32	131 5 1/32	46 1.811	117 4.606	60 2 23/64	41 1 39/64	M36 1 3/8	35.3 77.8
120		UCF324	UC324	207.0 46535	185.0 41590	370 14 9/16	290 11 27/64	40 1 1/16	110 4 13/32	140 5 1/2	51 2.008	126 4.961	65 2 3/16	41 1 39/64	M36 1 3/8	47.3 104.2
130		UCF326	UC326	229.0 51481	214.0 48109	410 16 3/32	320 12 19/32	45 1 29/32	115 4 17/32	146 5 3/4	54 2.126	135 5.315	65 2 3/16	41 1 39/64	M36 1 3/8	65.5 144.4
140		UCF328	UC328	253.0 56877	246.0 55303	450 17 23/32	350 13 29/32	55 2 1/32	125 4 29/32	161 6 11/32	59 2.323	145 5.709	75 2 61/64	41 1 39/64	M36 1 3/8	80.4 177.2

### UCFL 300 HEAVY-DUTY SET SCREW LOCKING SERIES CAST-IRON TWO-BOLT FLANGED HOUSED UNITS

- UCFL two-bolt flanged units are suggested for industrial applications where heavy loads are encountered.
- This series is primarily designed for applications where the mounting area is restricted.
- Each unit comes assembled and ready for mounting, using bolts through the flange.
- These units use wide inner ring ball bearings with self-aligning spherical outside diameters that compensate for shaft misalignment.
- Timken UCFL series housed units feature the Timken set screw locking (UC) bearing insert.
- Bearing prelubricated and ready for immediate installation.
- Grease fitting supplied for relubrication<sup>(1)</sup>.
- The bonded seal design is well-suited for applications involving wet or dirty environments.
- Bolt-hole spacing dimensions and shaft center location are interchangeable with competitive units.
- Housing designed for ease of bearing replacement.

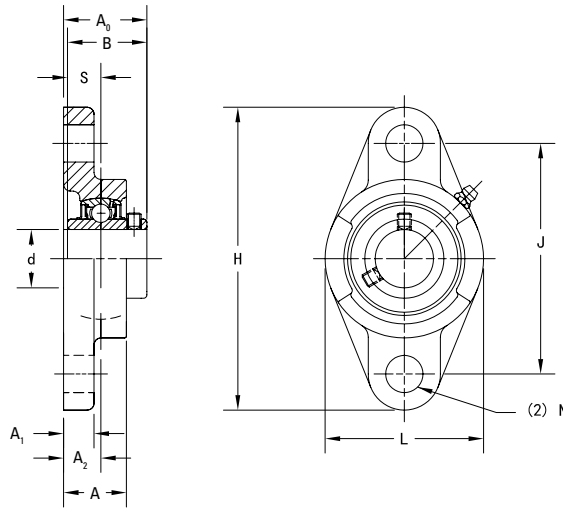
Shaft Dia. d	Two-Bolt Flange Designation	Bearing Designation	Basic Load Ratings		Dimensions											Bolt Size	Wt.
			Dynamic C <sub>r</sub>	Static C <sub>0r</sub>	H	J	A <sub>1</sub>	A	A <sub>0</sub>	L	A <sub>2</sub>	S	B	N			
mm	in.		kN lbs	kN lbs	mm in.	mm in.	mm in.	mm in.	mm in.	mm in.	mm in.	mm in.	mm in.	mm in.	mm in.	mm in.	kg lbs
25	UCFL305	UC305	21.2 4766	10.9 2450	150 5 29/32	113 4 7/16	13 1/2	29 1 1/2	39 1 17/32	80 3 1/2	16 5/8	15 0.591	38 1.496	19 3/4	M16 5/8	1.1 2.4	
	1	UCFL305-16															UC305-16
30	UCFL306	UC306	26.7 6002	15.0 3372	180 7 3/32	134 5 9/32	15 19/32	32 1 1/4	44 1 47/64	90 3 17/32	18 45/64	17 0.669	43 1.693	23 29/32	M20 3/4	1.5 3.3	
		UCFL307															UC307
35	UCFL307	UC307	33.4 7509	19.3 4339	185 7 9/32	141 5 35/64	16 5/8	36 1 13/32	49 1 59/64	100 3 15/16	20 29/32	19 0.748	48 1.890	23 29/32	M20 3/4	1.8 4.0	
	1 1/2	UCFL308-24															UC308-24
40	UCFL308	UC308	40.7 9150	24.0 5395	200 7 7/8	158 6 7/32	17 21/32	40 1 1/16	56 2 13/64	112 4 13/32	23 29/32	19 0.748	52 2.047	23 29/32	M20 3/4	2.5 5.5	
	1 3/4	UCFL309-28															UC309-28
45	UCFL309	UC309	48.9 10993	29.5 6632	230 9 1/16	177 6 31/32	18 23/32	44 1 23/32	60 2 23/64	125 4 29/32	25 63/64	22 0.866	57 2.244	25 63/64	M22 7/8	3.5 7.7	
		UCFL310															UC310
50	UCFL310	UC310	62.0 13938	38.3 8610	240 9 7/16	187 7 23/64	19 3/4	48 1 7/8	67 2 41/64	140 5 1/2	28 1 7/64	22 0.866	61 2.402	25 63/64	M22 7/8	4.4 9.7	
	2	UCFL311-32															UC311-32
55	UCFL311	UC311	71.6 16096	45.0 10116	250 9 27/32	198 7 51/64	20 25/32	52 2 1/16	71 2 51/64	150 5 29/32	30 1 3/16	25 0.984	66 2.598	25 63/64	M22 7/8	5.3 11.7	
	2 3/16	UCFL311-35															UC311-35
60	UCFL312	UC312	81.9 18412	52.2 11735	270 10 5/8	212 8 11/32	22 7/8	56 2 7/32	78 3 3/64	160 6 5/16	33 1 19/64	26 1.024	71 2.795	31 1 7/32	M27 1	6.5 14.3	
	2 7/16	UCFL312-39															UC312-39
65	UCFL313	UC313	92.7 20840	59.9 13466	295 11 5/8	240 9 29/64	25 31/32	58 2 9/32	78 3 3/64	175 6 7/8	33 1 19/64	30 1.181	75 2.953	31 1 7/32	M27 1	8.5 18.7	
	2 1/2	UCFL313-40															UC313-40
70	UCFL314	UC314	104.0 23380	68.2 15332	315 12 13/32	250 9 27/32	28 1 3/32	61 2 13/32	81 3 3/16	185 7 9/32	36 1 27/64	33 1.299	78 3.071	35 1 3/8	M30 1 1/8	9.7 21.4	
	2 3/4	UCFL314-44															UC314-44

<sup>(1)</sup> For bore sizes up to and including 210, a 1/4-28 tapered thread fitting is used. For bore sizes greater than 211, a 1/8 BSPT fitting is used.

Continued on next page.

# U SERIES BALL BEARING HOUSED UNITS

## UCFL 300 HEAVY-DUTY SET SCREW LOCKING SERIES • CAST-IRON TWO-BOLT FLANGED HOUSED UNITS



Continued from previous page.

Shaft Dia. d		Two-Bolt Flange Designation	Bearing Designation	Basic Load Ratings		Dimensions										Bolt Size	Wt.
				Dynamic C <sub>r</sub>	Static C <sub>0r</sub>	H	J	A <sub>1</sub>	A	A <sub>0</sub>	L	A <sub>2</sub>	S	B	N		
mm	in.			kN lbs	kN lbs	mm in.	mm in.	mm in.	mm in.	mm in.	mm in.	mm in.	mm in.	mm in.	mm in.	mm in.	kg lbs
75	2 1/16	UCFL315-47	UC315-47	113.0 25403	77.2 17355	320 12 13/32	260 10 5/16	30 1 3/16	66 2 19/32	89 3 1/2	195 7 11/16	39 1 17/32	32 1.260	82 3.228	35 1 3/8	M30 1 1/8	11.3 24.9
		UCFL315	UC315														
	3	UCFL315-48	UC315-48														
80		UCFL316	UC316	123.0 27651	86.7 19491	355 13 31/32	285 11 1/2	32 1 1/4	68 2 11/16	90 3 39/64	210 8 3/2	38 1 1/2	34 1.339	86 3.386	38 1 1/2	M33 1 1/4	14.4 31.7
85		UCFL317	UC317	133.0 29900	96.8 21762	370 14 9/16	300 11 13/16	32 1 1/4	74 2 29/32	100 3 13/16	220 8 23/32	44 1 47/64	40 1.575	96 3.780	38 1 1/2	M33 1 1/4	16.0 35.3
90	3 1/2	UCFL318-56	UC318-56	143.0 32148	107.0 24055	385 15 5/32	315 12 13/32	36 1 13/32	76 3	100 3 15/16	235 9 1/4	44 1 47/64	40 1.575	96 3.780	38 1 1/2	M33 1 1/4	19.0 41.9
		UCFL318	UC318														
95		UCFL319	UC319	153.0 34396	119.0 26752	405 15 15/16	330 12 63/64	40 1 9/16	94 3 11/16	121 4 49/64	250 9 27/32	59 2 21/64	41 1.614	103 4.055	41 1 39/64	M36 1 3/8	24.6 54.2
100		UCFL320	UC320	173.0 38892	141.0 31698	440 17 3/16	360 14 11/16	40 1 9/16	94 3 11/16	125 4 59/64	270 10 5/8	59 2 21/64	42 1.654	108 4.252	44 1 47/64	M39 1 1/2	29.4 64.8
	3 15/16	UCFL320-63	UC320-63														
	4	UCFL320-64	UC320-64														
110		UCFL322	UC322	205.0 46086	180.0 40466	470 18 1/2	390 15 23/64	42 1 21/32	96 3 25/32	131 5 1/2	300 11 13/16	60 2 23/64	46 1.811	117 4.606	44 1 47/64	M39 1 1/2	36.2 79.8
120		UCFL324	UC324	207.0 46535	185.0 41590	520 20 15/32	430 16 59/64	48 1 7/8	110 4 11/32	140 5 1/2	330 13	65 2 9/16	51 2.008	126 4.961	47 1 27/32	M42 1 3/8	51.6 113.8
130		UCFL326	UC326	229.0 51481	214.0 48109	550 21 21/32	460 18 3/64	50 1 31/32	115 4 17/32	146 5 3/4	360 14 3/8	65 2 9/16	54 2.126	135 5.315	47 1 27/32	M42 1 3/8	61.6 135.8

### UCT 300 HEAVY-DUTY SET SCREW LOCKING SERIES CAST-IRON TAKE-UP HOUSED UNITS

- UCT take-up units are suggested for industrial applications where heavy loads are encountered.
- UCT take-up units are used where shaft adjustment and belt-tightening devices are required, such as in conveyor applications.
- These units provide compact, efficient supports for adjustable shafts and conveyor take-up pulleys.
- Each unit comes assembled and ready for mounting.
- These units use wide inner ring ball bearings with self-aligning spherical outside diameters that compensate for shaft misalignment.
- Timken UCT series housed units feature the Timken set screw locking (UC) bearing insert.
- Bearing prelubricated and ready for immediate installation.
- Grease fitting supplied for relubrication<sup>(1)</sup>.
- The bonded seal design is well-suited for industrial applications involving wet or dirty environments.
- Slot spacing and width are interchangeable with competitive units.
- Housing designed for ease of bearing replacement.

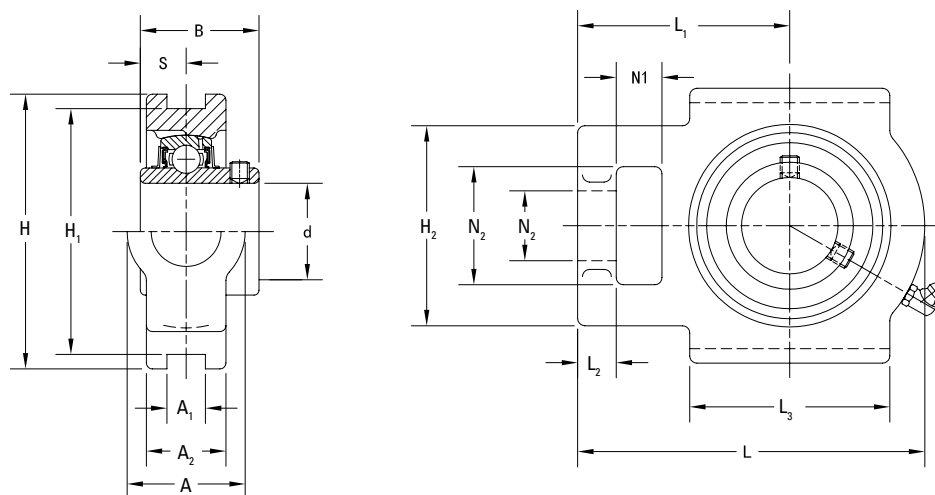
Shaft Dia. d	Take-Up Unit Designation	Bearing Designation	Basic Load Ratings		Dimensions															Wt.	
			Dynamic	Static	H	H <sub>1</sub>	L <sub>2</sub>	L <sub>1</sub>	A <sub>2</sub>	A	N	L	H <sub>2</sub>	S	B	L <sub>3</sub>	N <sub>1</sub>	N <sub>2</sub>	A <sub>1</sub>		
			C <sub>r</sub>	C <sub>0r</sub>	mm	mm	mm	mm	mm	mm	mm	mm	mm	mm	mm	mm	mm	mm	mm		mm
25	UCT305	UC305	21.2	10.9	89	80	12	76	26	36	26	122	62	15	38	65	16	36	12	1.4	
	1	UCT305-16	UC305-16	4766	2450	3 1/2	3 5/32	1 5/32	3	1 1/32	1 1/32	4 13/16	2 7/16	0.591	1.496	2 9/16	5/8	1 13/32	1 5/32	3.0	
30	UCT306	UC306	26.7	15.0	100	90	14	85	28	41	28	137	70	17	43	74	18	41	16	1.8	
			6002	3372	3 15/16	3 35/64	9/16	3 11/32	1 3/32	1 3/8	1 3/32	5 13/32	2 3/4	0.669	1.693	2 29/32	23/32	1 1/8	5/8	3.9	
35	UCT307	UC307	33.4	19.3	111	100	15	94	32	45	30	150	75	19	48	80	20	45	16	2.3	
			7509	4339	4 3/8	3 15/16	19/32	3 11/16	1 1/4	1 29/32	1 3/4	5 29/32	2 19/16	0.748	1.890	3 3/32	29/32	1 29/32	5/8	5.0	
40	UCT308-24	UC308-24	40.7	24.0	124	112	17	100	34	50	32	162	83	19	52	89	22	50	18	3.0	
			9150	5395	4 7/8	4 13/32	2 1/32	3 15/16	1 11/32	1 3/32	1 1/4	6 3/8	3 9/32	0.748	2.047	3 1/2	7/8	1 31/32	45/64	6.6	
45	UCT309-28	UC309-28	48.9	29.5	138	125	18	110	38	55	34	178	90	22	57	97	24	55	18	4.1	
			10993	6632	5 7/16	4 59/64	23/32	4 11/32	1 1/2	2 5/32	1 11/32	7	3 17/32	0.866	2.244	3 13/16	15/16	2 5/32	45/64	9.0	
50	UCT309	UC309	62.0	38.3	151	140	20	117	40	61	37	191	98	22	61	106	27	61	20	4.9	
			13938	8610	5 15/16	5 33/64	25/32	4 19/32	1 9/16	2 13/32	1 15/32	7 17/32	3 27/32	0.866	2.402	4 3/16	1 1/16	2 13/32	25/32	10.8	
55	UCT311-32	UC311-32	71.6	45.0	163	150	21	127	44	66	39	207	105	25	66	115	29	66	22	6.1	
			16096	10116	6 13/32	5 29/32	13/16	5	1 23/32	2 19/32	1 17/32	8 5/32	4 1/8	0.984	2.598	4 17/32	1 5/32	2 19/32	55/64	13.4	
60	UCT311-35	UC311-35	71.6	45.0	163	150	21	127	44	66	39	207	105	25	66	115	29	66	22	6.1	
			16096	10116	6 13/32	5 29/32	13/16	5	1 23/32	2 19/32	1 17/32	8 5/32	4 1/8	0.984	2.598	4 17/32	1 5/32	2 19/32	55/64	13.4	
65	UCT312	UC312	81.9	52.2	178	160	23	135	46	71	41	220	113	26	71	123	31	71	22	7.6	
			18412	11735	7	6 19/64	29/32	5 5/16	1 13/16	2 25/32	1 5/8	8 27/32	4 7/16	1.024	2.795	4 27/32	1 7/32	2 25/32	55/64	16.7	
70	UCT312-39	UC312-39	81.9	52.2	178	160	23	135	46	71	41	220	113	26	71	123	31	71	22	7.6	
			18412	11735	7	6 19/64	29/32	5 5/16	1 13/16	2 25/32	1 5/8	8 27/32	4 7/16	1.024	2.795	4 27/32	1 7/32	2 25/32	55/64	16.7	
75	UCT313-40	UC313-40	92.7	59.9	190	170	25	146	50	80	43	238	116	30	75	134	32	70	26	9.3	
			20840	13466	7 15/32	6 11/16	31/32	5 3/4	1 31/32	3 3/32	1 11/16	9 3/8	4 9/16	1.181	2.953	5 5/32	1 1/4	2 3/4	1 1/32	20.5	
80	UCT313	UC313	92.7	59.9	190	170	25	146	50	80	43	238	116	30	75	134	32	70	26	9.3	
			20840	13466	7 15/32	6 11/16	31/32	5 3/4	1 31/32	3 3/32	1 11/16	9 3/8	4 9/16	1.181	2.953	5 5/32	1 1/4	2 3/4	1 1/32	20.5	
85	UCT314-44	UC314-44	104.0	68.2	202	180	25	155	52	90	46	252	130	33	78	140	36	85	26	11.1	
			23380	15332	7 15/16	7 3/32	31/32	6 3/32	2 1/16	3 19/32	1 13/16	9 29/32	5 1/8	1.299	3.071	5 1/2	1 13/32	3 11/32	1 1/32	24.4	

<sup>(1)</sup> For bore sizes up to and including 210, a 1/4-28 tapered thread fitting is used. For bore sizes greater than 211, a 1/2 BSPT fitting is used.

Continued on next page.

# U SERIES BALL BEARING HOUSED UNITS

## UCT 300 HEAVY-DUTY SET SCREW LOCKING SERIES • CAST-IRON TAKE-UP HOUSED UNITS



Continued from previous page.

Shaft Dia. d	Take-Up Unit Designation	Bearing Designation	Basic Load Ratings		Dimensions															Wt.			
			Dynamic C <sub>r</sub>	Static C <sub>0r</sub>	H	H <sub>1</sub>	L <sub>2</sub>	L <sub>1</sub>	A <sub>2</sub>	A	N	L	H <sub>2</sub>	S	B	L <sub>3</sub>	N <sub>1</sub>	N <sub>2</sub>	A <sub>1</sub>				
mm	in.		kN	kN	mm	mm	mm	mm	mm	mm	mm	mm	mm	mm	mm	mm	mm	mm	mm	mm	mm	mm	kg
			lbs	lbs	in.	in.	in.	in.	in.	in.	in.	in.	in.	in.	in.	in.	in.	in.	in.	in.	in.	in.	lbs
75	2 15/16	UCT315-47	UC315-47	113.0	77.2	216	192	25	160	55	90	46	262	132	32	82	150	36	85	26	13.0		
		UCT315	UC315	25403	17355	8 1/2	7 5/16	3 3/32	6 3/16	2 3/8	3 17/32	1 13/16	10 3/16	5 3/16	1.260	3.228	5 29/32	1 13/32	3 17/32	1 1/2	28.6		
	3	UCT315-48	UC315-48																				
80		UCT316	UC316	123.0	86.7	230	204	28	174	60	102	53	282	150	34	86	160	42	98	30	16.2		
		UCT317	UC317	27651	19491	9 1/16	8 1/32	1 3/32	6 27/32	2 3/8	4 1/2	2 3/8	11 3/32	5 29/32	1.339	3.386	6 3/16	1 21/32	3 27/32	1 3/16	35.7		
85		UCT318	UC318	133.0	96.8	240	214	30	183	64	102	53	298	152	40	96	170	42	98	32	19.0		
		UCT319	UC319	29900	21762	9 7/16	8 27/64	1 3/16	7 7/32	2 17/32	4 1/2	2 3/8	11 23/32	5 31/32	1.575	3.780	6 11/16	1 21/32	3 27/32	1 17/64	41.8		
90	3 1/2	UCT318-56	UC318-56	143.0	107.0	255	228	30	192	66	110	57	312	160	40	96	175	46	106	32	21.6		
		UCT318	UC318	32148	24055	10 1/32	8 31/32	1 3/16	7 7/16	2 19/32	4 13/32	2 1/4	12 3/32	6 5/16	1.575	3.780	6 7/8	1 13/16	4 3/16	1 17/64	47.6		
95		UCT319	UC319	153.0	119.0	270	240	31	197	72	110	57	322	165	41	103	180	46	106	35	24.9		
		UCT320	UC320	34396	26752	10 5/8	9 29/64	1 7/32	7 3/4	2 27/32	4 11/32	2 1/4	12 11/16	6 1/2	1.614	4.055	7 3/32	1 13/16	4 3/16	1 3/8	54.8		
100		UCT320-63	UC320-63	173.0	141.0	290	260	32	210	75	120	59	345	175	42	108	200	48	115	35	30.7		
	3 15/16	UCT320-63	UC320-63	38892	31698	11 13/32	10 15/64	1 1/4	8 9/32	2 15/16	4 23/32	2 5/16	13 19/32	6 7/8	1.654	4.252	7 7/8	1 7/8	4 17/32	1 3/8	67.6		
	4	UCT320-64	UC320-64																				
105		UCT321	UC321	184.0	153.0	290	260	32	210	75	120	59	345	175	44	112	200	48	115	35	36.7		
		UCT322	UC322	41365	34396	11 13/32	10 15/64	1 1/4	8 9/32	2 15/16	4 23/32	2 5/16	13 19/32	6 7/8	1.732	4.409	7 7/8	1 7/8	4 17/32	1 3/8	80.9		
110		UCT322	UC322	205.0	180.0	320	285	38	235	80	130	65	385	185	46	117	215	52	125	38	39.7		
		UCT324	UC324	46086	40466	12 19/32	11 7/32	1 1/2	9 1/4	3 5/32	5 1/8	2 3/8	15 9/32	7 9/32	1.811	4.606	8 15/32	2 1/16	4 29/32	1 1/2	87.5		
120		UCT324	UC324	207.0	185.0	355	320	42	267	90	140	70	432	210	51	126	230	60	140	45	54.4		
		UCT326	UC326	46535	41590	13 31/32	12 3/32	1 21/32	10 1/2	3 17/32	5 1/2	2 3/4	17	8 9/32	2.008	4.961	9 9/16	2 3/8	5 1/2	1 49/64	119.9		
130		UCT326	UC326	229.0	214.0	385	350	45	285	100	150	75	465	220	54	135	240	65	150	50	69.3		
		UCT328	UC328	51481	48190	15 5/32	13 29/32	1 25/32	11 7/32	3 15/16	5 29/32	2 15/16	18 3/16	8 21/32	2.126	5.315	9 7/16	2 3/8	5 29/32	1 31/32	152.7		
140		UCT328	UC328	253.0	246.0	415	380	50	315	100	155	80	515	230	59	145	255	70	160	50	85.1		
				56877	55303	16 11/32	14 61/64	1 31/32	12 13/32	3 15/16	6 3/32	3 5/32	20 9/32	9 1/16	2.323	5.709	10 1/32	2 3/4	6 3/16	1 31/32	187.6		



### UC 300 HEAVY-DUTY SET SCREW LOCKING SERIES WIDE INNER RING BALL BEARINGS

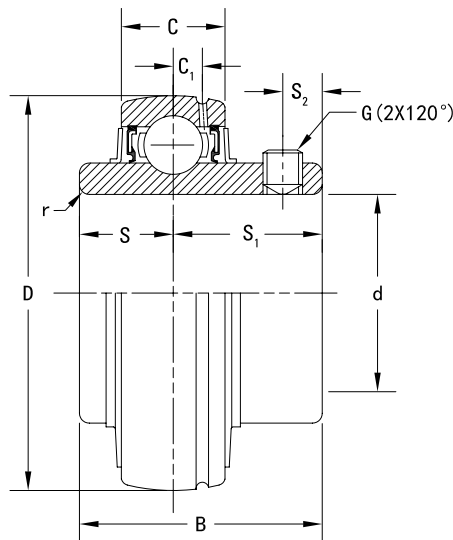
- The UC wide inner ring ball bearing uses a popular set screw locking mechanism and is suggested for industrial applications where heavy loads are encountered.
- The set screw mounting feature is ideal for reversing load applications.
- Bearing prelubricated and ready for immediate installation.
- The wide inner ring provides effective shaft support for a broad range of industrial applications.
- The positive contact of the land-riding bonded nitrile seal helps protect against harmful contaminants and retains lubricant under severe operating conditions.
- An external steel flinger provides additional protection from contamination.
- The UC series features superfinished raceways, grade-10 balls for smooth running and low noise operation.
- UC series wide inner ring ball bearings have spherical outside diameters for use in housings with corresponding spherical inside surfaces to compensate for shaft misalignment.

Shaft Dia. d		Bearing Designation	Basic Load Ratings		Dimensions						Min. Fillet Radius r (min.)	Set Screw Size G	Wt.	
			Dynamic C <sub>r</sub>	Static C <sub>0r</sub>	D	C	B	S <sub>2</sub>	C <sub>1</sub>	S				S <sub>1</sub>
			mm in.	mm in.	mm in.	mm in.	mm in.	mm in.	mm in.	mm in.				mm in.
25		UC305	<b>21.2</b> 4766	<b>10.9</b> 2450	<b>62</b> 2.441	<b>22</b> 0.866	<b>38.0</b> 1.496	<b>6</b> 0.236	<b>6.0</b> 0.236	<b>15</b> 0.591	<b>23</b> 0.906	<b>1.1</b> 0.043	M6×0.75	<b>0.4</b> 1.0
	1	UC305-16												<b>0.4</b> 1.0
30		UC306	<b>26.7</b> 6002	<b>15.0</b> 3372	<b>72</b> 2.835	<b>24</b> 0.945	<b>43.0</b> 1.693	<b>6</b> 0.236	<b>6.5</b> 0.256	<b>17</b> 0.669	<b>26</b> 1.024	<b>1.1</b> 0.043	M6×0.75	<b>0.6</b> 1.2
35		UC307	<b>33.4</b> 7509	<b>19.3</b> 4339	<b>80</b> 3.150	<b>26</b> 1.024	<b>48.0</b> 1.890	<b>8</b> 0.315	<b>7.5</b> 0.295	<b>19</b> 0.748	<b>29</b> 1.142	<b>1.5</b> 0.059	M8×1	<b>0.7</b> 1.6
40	1 ½	UC308-24	<b>40.7</b> 9150	<b>24.0</b> 5395	<b>90</b> 3.543	<b>28</b> 1.102	<b>52.0</b> 2.047	<b>10</b> 0.394	<b>8.0</b> 0.315	<b>19</b> 0.748	<b>33</b> 1.299	<b>1.5</b> 0.059	M10×1.25	<b>1.1</b> 2.3
		UC308												<b>1.0</b> 2.2
45	1 ¾	UC309-28	<b>48.9</b> 10993	<b>29.5</b> 6632	<b>100</b> 3.937	<b>30</b> 1.181	<b>57.0</b> 2.244	<b>10</b> 0.394	<b>8.5</b> 0.335	<b>22</b> 0.866	<b>35</b> 1.378	<b>1.5</b> 0.059	M10×1.25	<b>1.4</b> 3.0
		UC309												<b>1.3</b> 2.9
50		UC310	<b>62.0</b> 13938	<b>38.3</b> 8610	<b>110</b> 4.331	<b>32</b> 1.260	<b>61.0</b> 2.402	<b>12</b> 0.472	<b>9.0</b> 0.354	<b>22</b> 0.866	<b>39</b> 1.535	<b>2.0</b> 0.079	M12×1.5	<b>1.7</b> 3.7
55	2	UC311-32	<b>71.6</b> 16096	<b>45.0</b> 10116	<b>120</b> 4.724	<b>34</b> 1.339	<b>66.0</b> 2.598	<b>12</b> 0.472	<b>10.0</b> 0.394	<b>25</b> 0.984	<b>41</b> 1.614	<b>2.0</b> 0.079	M12×1.5	<b>2.1</b> 4.6
		UC311												<b>1.9</b> 4.2
	2 ⅝	UC311-35												<b>1.7</b> 3.7
60		UC312	<b>81.9</b> 18412	<b>52.2</b> 11735	<b>130</b> 5.118	<b>36</b> 1.417	<b>71.0</b> 2.795	<b>12</b> 0.472	<b>11.5</b> 0.453	<b>26</b> 1.204	<b>45</b> 1.772	<b>2.1</b> 0.083	M12×1.5	<b>2.6</b> 5.7
	2 ⅝	UC312-39												<b>2.5</b> 5.5
65	2 ½	UC313-40	<b>92.7</b> 20840	<b>59.9</b> 13466	<b>140</b> 5.512	<b>38</b> 1.496	<b>75.0</b> 2.953	<b>12</b> 0.472	<b>12.0</b> 0.472	<b>30</b> 1.181	<b>45</b> 1.772	<b>2.1</b> 0.083	M12×1.5	<b>3.2</b> 7.1
		UC313												<b>3.1</b> 7.0
70	2 ¾	UC314-44	<b>104.0</b> 23380	<b>68.2</b> 15332	<b>150</b> 5.906	<b>40</b> 1.575	<b>78.0</b> 3.071	<b>12</b> 0.472	<b>12.5</b> 0.492	<b>33</b> 1.299	<b>45</b> 1.772	<b>2.1</b> 0.083	M12×1.5	<b>3.9</b> 8.6
		UC314												<b>3.9</b> 8.6

Continued on next page.

# U SERIES BALL BEARING HOUSED UNITS

## UC 300 HEAVY-DUTY SET SCREW LOCKING SERIES • WIDE INNER RING BALL BEARINGS



Continued from previous page.

Shaft Dia. d		Bearing Designation	Basic Load Ratings		Dimensions							Min. Fillet Radius r (min.)	Set Screw Size G	Wt.	
			Dynamic C <sub>r</sub>	Static C <sub>0r</sub>	D	C	B	S <sub>2</sub>	C <sub>1</sub>	S	S <sub>1</sub>				
mm	in.		kN lbs	kN lbs	mm in.	mm in.	mm in.	mm in.	mm in.	mm in.	mm in.	mm in.		kg lbs	
75	2 15/16	UC315-47	113.0 25403	77.2 17355	160 6.299	42 1.654	82.0 3.228	14 0.551	14.5 0.571	32 1.260	50 1.969	2.1 0.083	M14×1.5	4.7 10.4	
		UC315												4.7 10.4	
	3	UC315-48												4.6 10.2	
80		UC316	123.0 27651	86.7 19491	170 6.693	44 1.732	86.0 3.386	14 0.551	15 0.591	34 1.339	52 2.047	2.1 0.083	M14×1.5	5.6 12.3	
85		UC317	133.0 29900	96.8 21762	180 7.087	46 1.811	96.0 3.780	16 0.630	15 0.591	40 1.575	56 2.205	3.0 0.118	M16×1.5	6.9 15.2	
90	3 1/2	UC318-56	143.0 32148	107.0 24055	190 7.480	48 1.890	96.0 3.780	16 0.630	15.5 0.610	40 1.575	56 2.205	3.0 0.118	M16×1.5	8.0 17.7	
		UC318												7.9 17.4	
95		UC319	153.0 34396	119.0 26752	200 7.874	50 1.969	103.0 4.055	18 0.709	16.5 0.650	41 1.614	62 2.441	3.0 0.118	M16×1.5	8.9 19.6	
100	3 15/16	UC320	173.0 38892	141.0 31698	215 8.465	54 2.126	108.0 4.252	20 0.787	18 0.709	42 1.654	66 2.598	3.0 0.118	M18×1.5	11.2 24.7	
														UC320-63	11.2 24.7
		4												UC320-64	11.0 24.3
105		UC321	184.0 41365	153.0 34396	225 8.858	56 2.205	112.0 4.409	20 0.787	19 0.748	44 1.732	68 2.677	3.0 0.118	M18×1.5	12.7 28.0	
110		UC322	205.0 46086	180.0 40466	240 9.449	60 2.362	117.0 4.606	20 0.787	20 0.787	46 1.811	71 2.795	3.0 0.118	M18×1.5	15.1 33.3	
120		UC324	207.0 46535	185.0 41590	260 10.236	64 2.520	126.0 4.961	20 0.787	21 0.827	51 2.008	75 2.953	3.0 0.118	M18×1.5	19.0 41.9	
130		UC326	229.0 51481	214.0 48109	280 11.024	68 2.677	135.0 5.315	20 0.787	22 0.866	54 2.126	81 3.189	4.0 0.157	M20×1.5	23.6 52.0	
140		UC328	253.0 56877	246.0 55303	300 11.811	72 2.835	145.0 5.709	20 0.787	23 0.906	59 2.323	86 3.386	4.0 0.157	M20×1.5	29.4 64.8	











To view more Timken catalogs, go to [www.timken.com/catalogs](http://www.timken.com/catalogs) for interactive versions, or to download a catalog app for your smart phone or mobile device scan the QR code or go to [timkencatalogs.com](http://timkencatalogs.com).

# TIMKEN

The Timken team applies their know-how to improve the reliability and performance of machinery in diverse markets worldwide. The company designs, makes and markets bearings, gear drives, automated lubrication systems, belts, brakes, clutches, chain, couplings, linear motion products and related power transmission rebuild and repair services.

**Price: USD \$75**

**Stronger. By Design.**

[www.timken.com](http://www.timken.com)